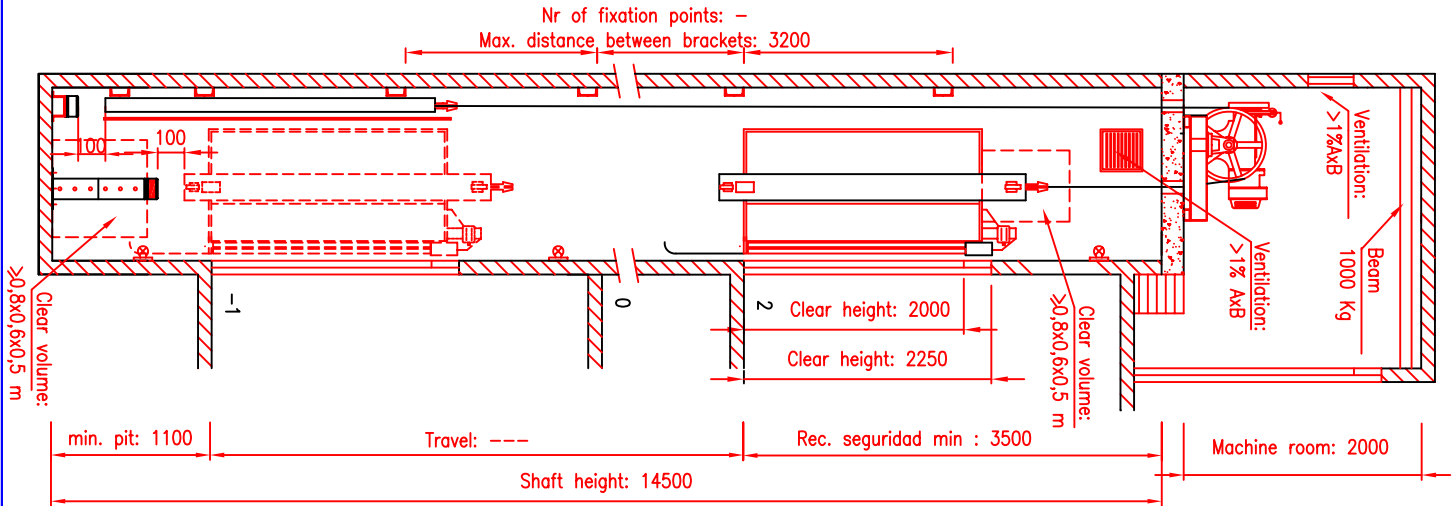
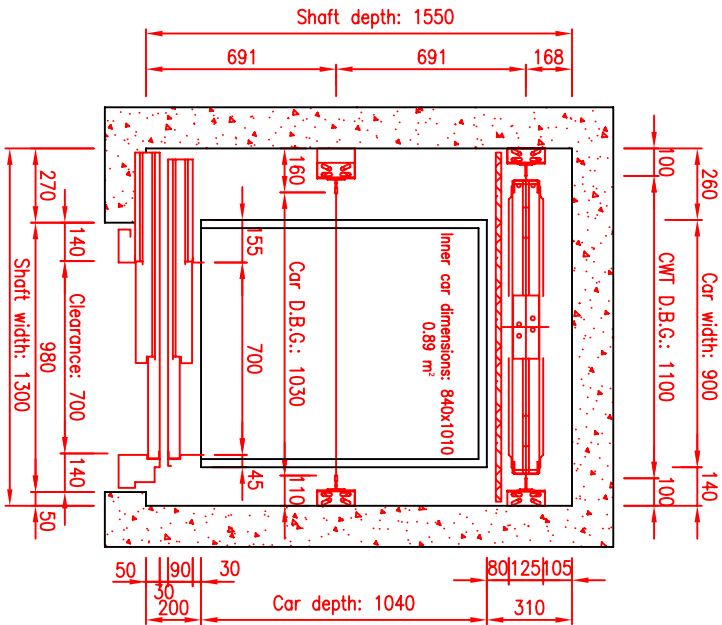


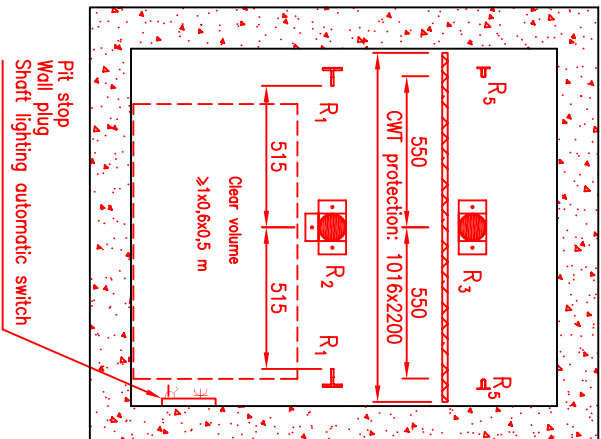
VERTICAL SECTION



SHAFT PLAN



PIT



CHARACTERISTICS

LOAD (Q):	300 Kg
CAR WEIGHT (P):	420 Kg
TOTAL WEIGHT (P+Q):	720 Kg
PERSONS:	4
RATED SPEED:	1/0,25 m/s
TRAVEL:	----- mm
STOPS:	-
MACHINE DENOMINATION:	-----
TRACION PULLEY:	φ520
DEFLECTION PULLEY:	-
SUSPENSION:	1:1
ROPES:	4x8φ
OVERSPEED GOV. ROPE:	φ6
CAR GUIDE RAIL:	65/54/8
CWT GUIDE RAIL:	45/35/15
CAR SAFETY GEAR:	F2S
CWT SAFETY GEAR:	Pl-12
CAR BUFFER:	φ100x80
CWT BUFFER:	φ100x80
MACHINE POWER:	5,5 CV
POWER VOLTAGE:	380 V
LIGHTING VOLTAGE:	220 V
PHASES:	3
NOMINAL CURRENT:	10,5 A
START CURRENT:	36 A
CONTROLLER:	-----
R1:	8.446 N
R2:	27.546 N
R3:	21.660 N
R4:	3.900 N
R5:	-----

N° OF PIECES		DENOMINATION		POS. MATERIAL WEIGHT		DRAWING	
4	3	2	1	2008	Date:	-----	-----
GROUP		Name:		CUSTOMER		FABRICACION DE ELEVADORES S.L.	
S.E		J.Perdos		-----		-----	
Scale:		Checked: 18-10		Traction lift 300Kg		-----	
Date		Subs Draw N°:		Replaced by:		Ed.:0	
Modification		-----		-----		-----	