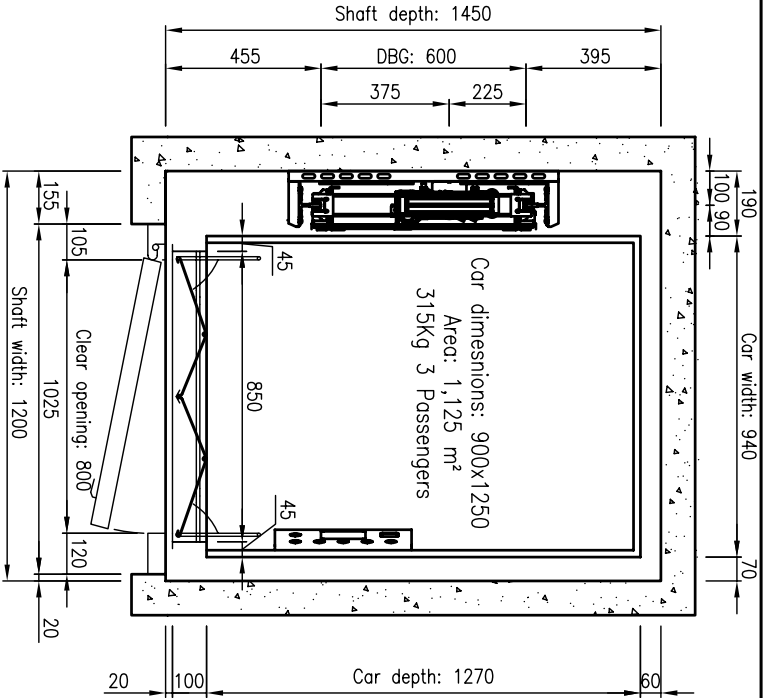
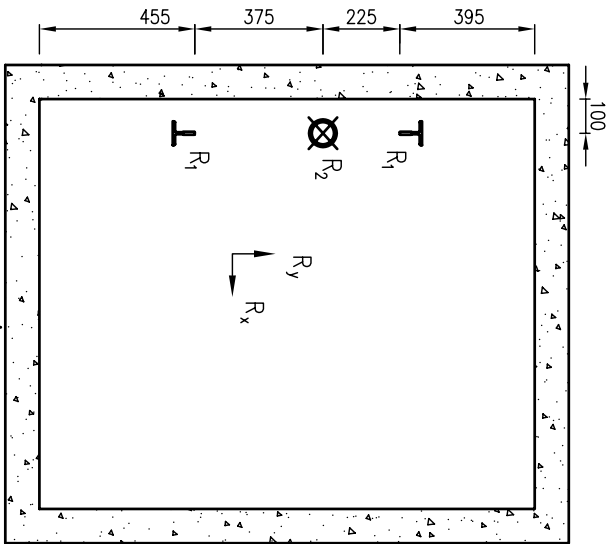
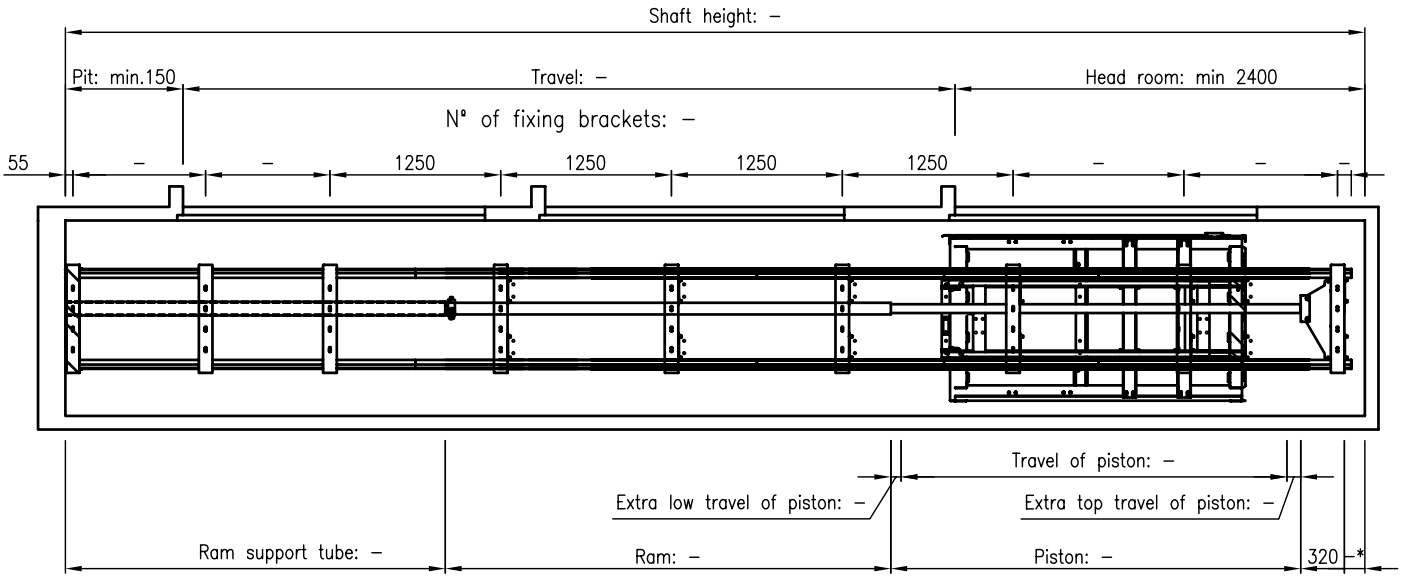


*Distance between the higher part of the head pulley and the shaft roof



Date	Modification

N° OF PIECES	4	3	2	1
GROUPS	1	2	3	4
V'B'				
Drawn				
Date				
Name				
DENOMINATION	SHAFT LAYOUT			
CUSTOMER	315Kg 3Passengers (Handic.)			
POS./MATERIAL				
WEIGHT				
DRAWING				
Scale:	S-E			
Subs. Draw N°				
Replaced by:				
Ed.:0				

CHARACTERISTICS	
LOAD:	315 Kg
PASSENGERS:	3
RATED SPEED:	0,15 m/s
TRAVEL:	- mm
STOPS:	-
ACTING:	2:1
HEAD PULLEY:	ø250
TRACTION ROPES:	2xø9
CAR GUIDES:	ø7 (70/65/9)
CAR SAFETY GEAR:	P1-12
PISTON:	65/7,5
HYDRAULIC EQUIPMENT:	GMV HL6000
MOTOR POWER:	3 Cv
PUMP FLOW:	15 l/min
START:	DIRECT
NOMINAL CURRENT:	18 A
START CURRENT:	58 A
R1:	12.000 N
R2:	19.000 N
Rx:	4.000 N
Ry:	1.100 N

