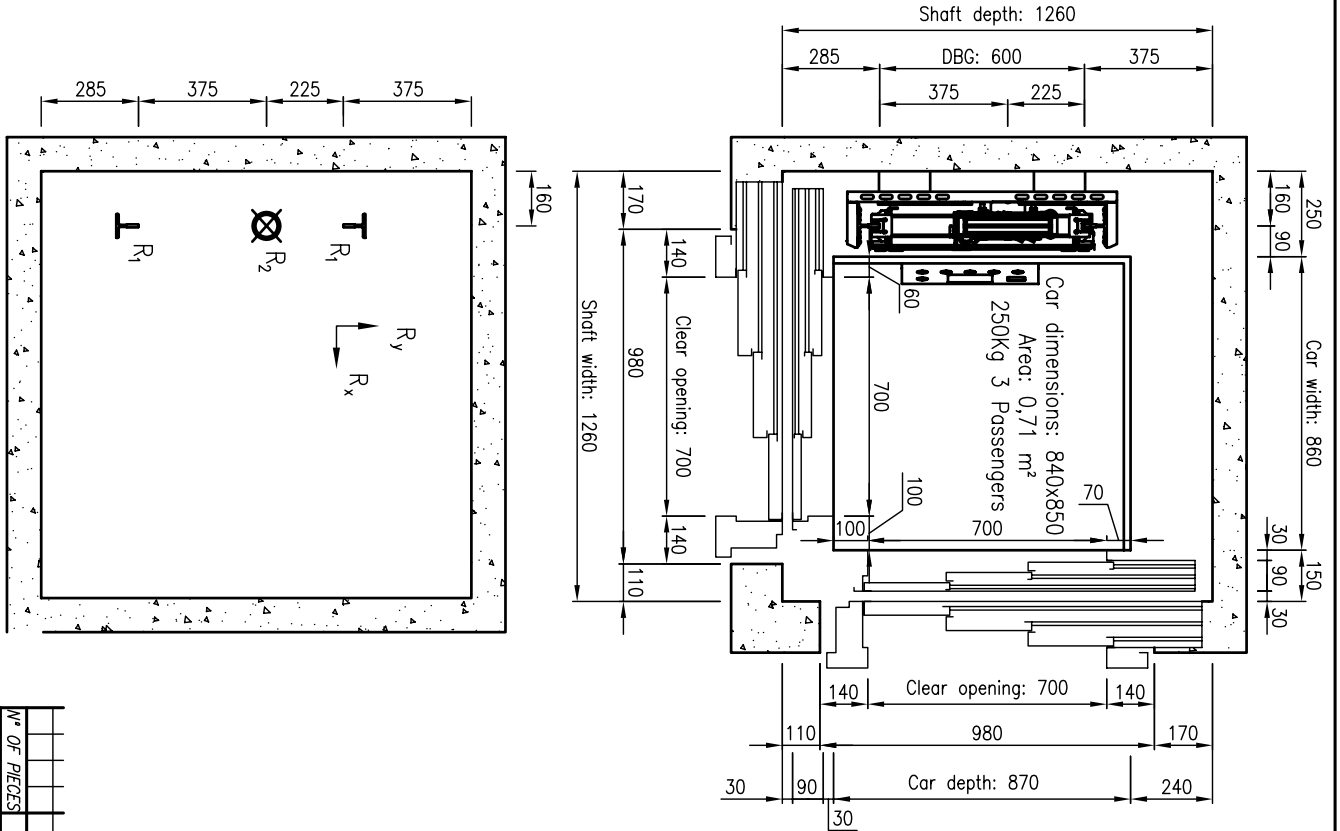
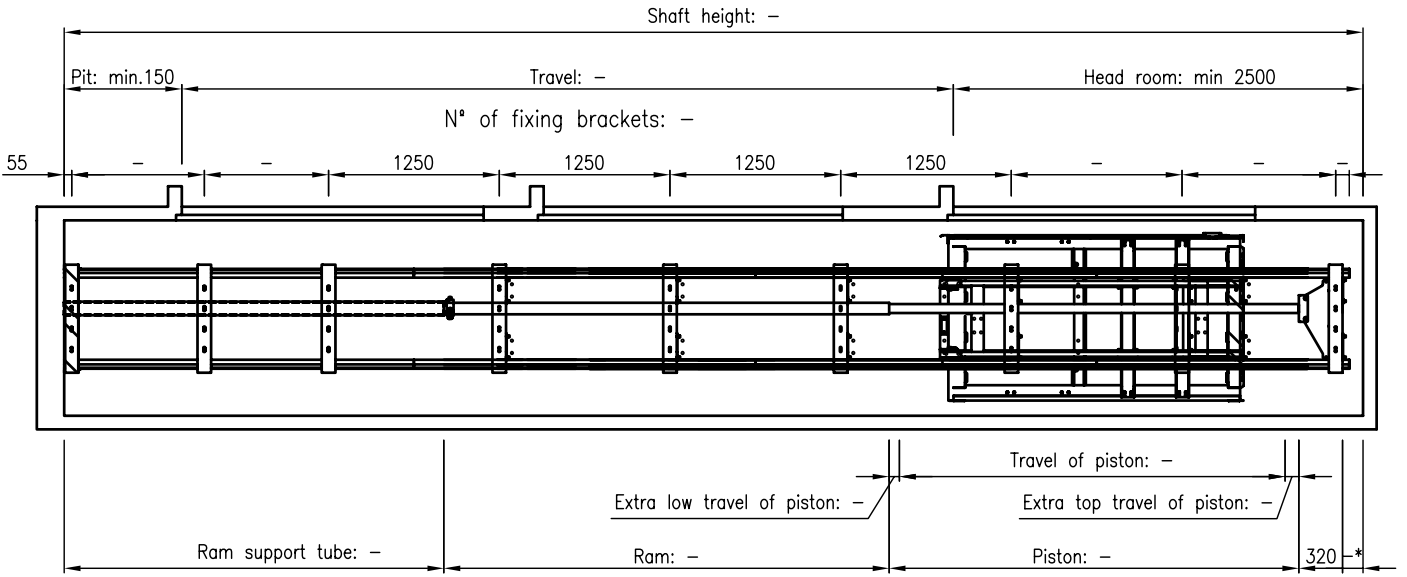


\*Distance between the higher part of the head pulley and the shaft roof



CHARACTERISTICS	
LOAD:	250 Kg
PASSENGERS:	3
RATED SPEED:	0,15 m/s
TRAVEL:	- mm
STOPS:	-
ACTING:	2:1
HEAD PULLEY:	ø250
TRACTION ROPE:	2x9ø
CAR GUIDES:	G7 (70/65/9)
CAR SAFETY GEAR:	PI-12
PISTON:	65/7,5
HYDRAULIC EQUIPMENT:	GMV HL6000
MOTOR POWER:	2 Cv
PUMP FLOW:	15 l/min
START:	DIRECT
NOMINAL CURRENT:	16 A
START CURRENT:	52 A
R1:	12.000 N
R2:	19.000 N
Rx:	4.000 N
Ry:	1.100 N

Date	Modification

N° OF PIECES	GROUPS	Drawn	V.B.	Scale:	SHAFT LAYOUT	Subs. Draw N°	Replaced by:	Ed.:0
4	3	2	1	S-E	250Kg 3Passengers			
DENOMINATION		CUSTOMER		Falesa		FABRICATION DE ELENDOMES S.L.		
POS. MATERIAL		WEIGHT		DRAWING				