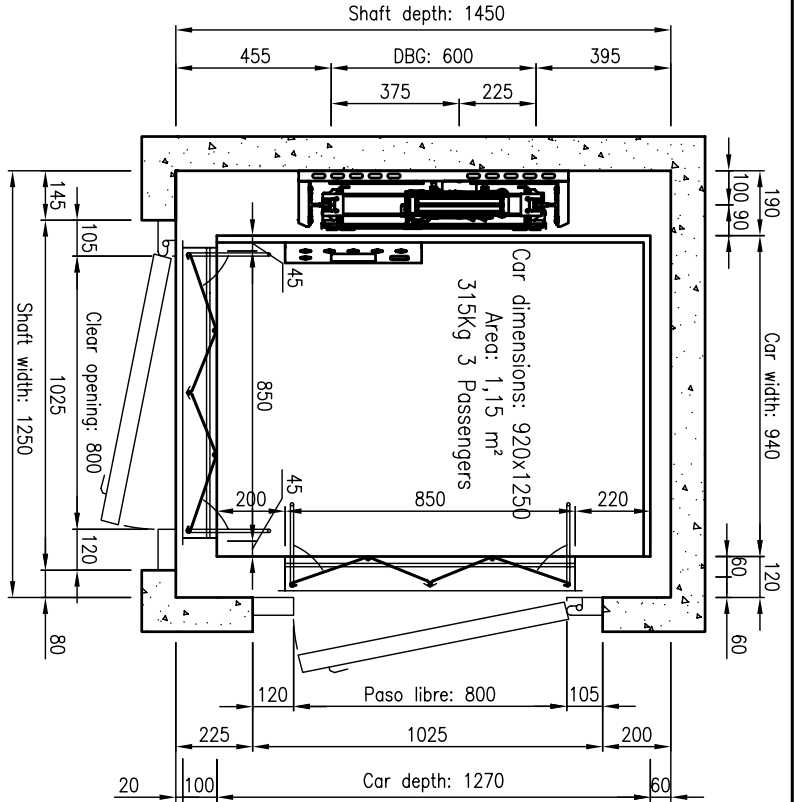
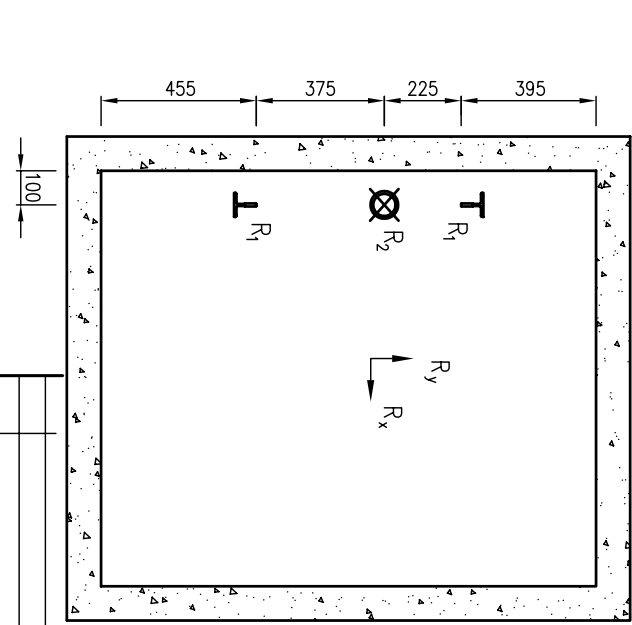
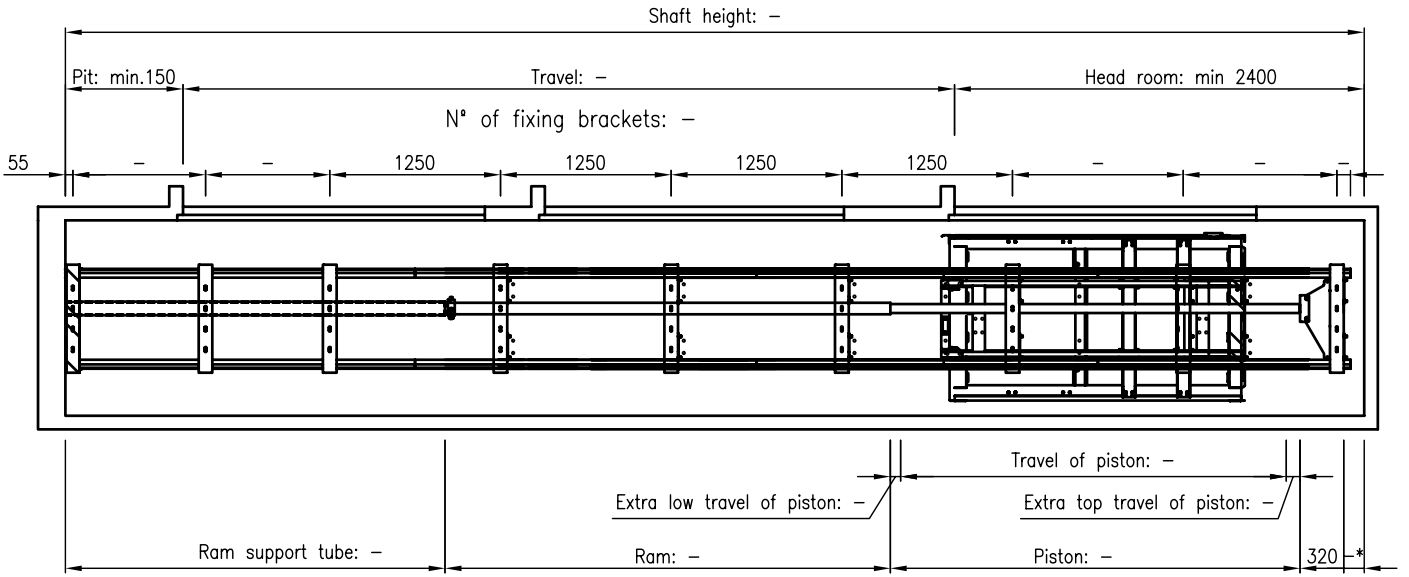


\*Distance between the higher part of the head pulley and the shaft roof



CHARACTERISTICS	
LOAD:	315 Kg
PASSENGERS:	3
RATED SPEED:	0,15 m/s
TRAVEL:	- mm
STOPS:	-
ACTING:	2:1
HEAD PULLEY:	ø250
TRACTION ROPES:	2xø
CAR GUIDES:	67 (70/65/9)
CAR SAFETY GEAR:	PI-12
PISTON:	65/7,5
HYDRAULIC EQUIPMENT:	GMV HL6000
MOTOR POWER:	3 Cv
PUMP FLOW:	15 l/min
START:	DIRECT
NOMINAL CURRENT:	18 A
START CURRENT:	58 A
R1:	12.000 N
R2:	19.000 N
Rx:	4.000 N
Ry:	1.100 N

N° OF PIECES		DENOMINATION		POS. MATERIAL		WEIGHT		DRAWING	
4	3	2	1	Date	Name	CUSTOMER			
GROUPS		Drawn							
V.B.									
Scale:		SHAFT LAYOUT							
S.E		315Kg 3Passengers (Handic.)							
Subs. Draw N°									
Replaced by:									
Date									
Modification									

