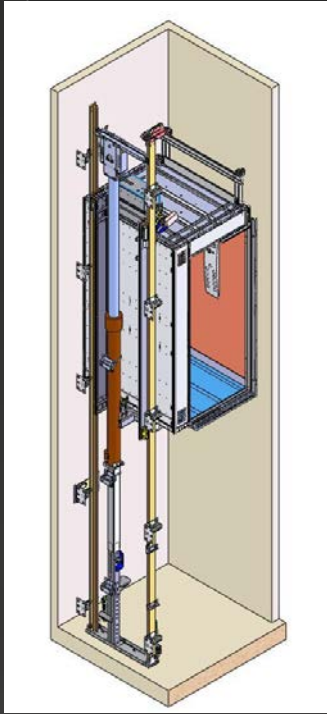


www.felesa.com



μ HD
microHD



...special refurbishments
...special reduced shafts

..reduced pit
..reduced headroom
..minimum shafts
..maximum cabins

FELESA 



Specially destined to:

Refurbishments

Reduction not useful volumes

Applicable to the maximum number of facilities

Enegetic saving

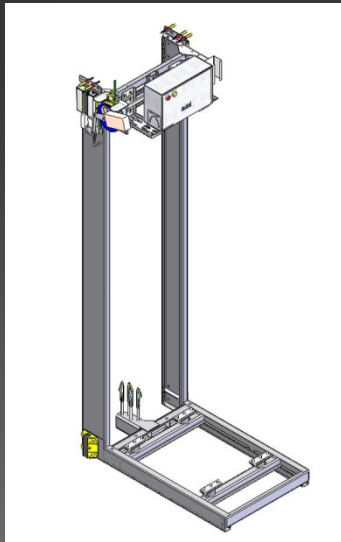
Tanks with electronic valve

Utilization steels high resistances

Comfort

Reduction noises and vibrations

Soft stop and Soft start



Special Characteristics



Pit: 300mm

Headroom: 2700mm

Distance wall-cabine: 220mm
(mechanical width 650mm)

Standards

EN81-2:1998

EN81-2:2001/A2

EN81-21:2009



Range

Load: 180kg-480kg

Speed: 0,63m/s

Ropes: 4x6,5ø

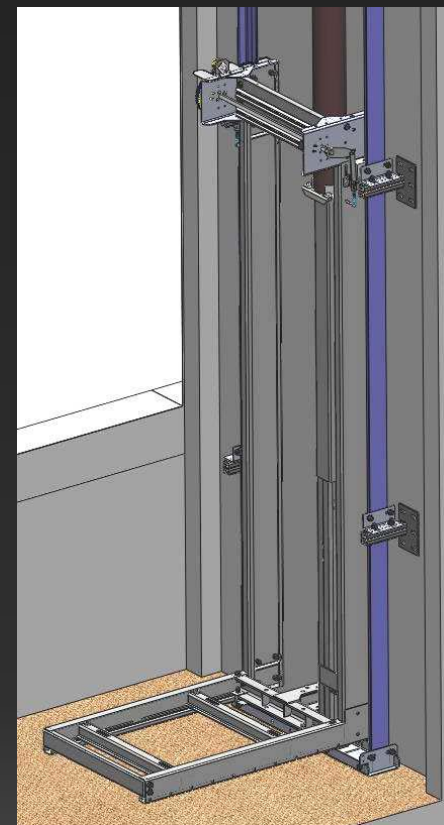
Traction: 2:1

Maxium travel: 18m

Tank with electronic valve

With/Without machine room(Cabinet)

Facility of assembly



Types

STD: Pit/Headroom normal 1200/3600mm

FR: Low pit 300mm

RSR: Low headroom 2700mm

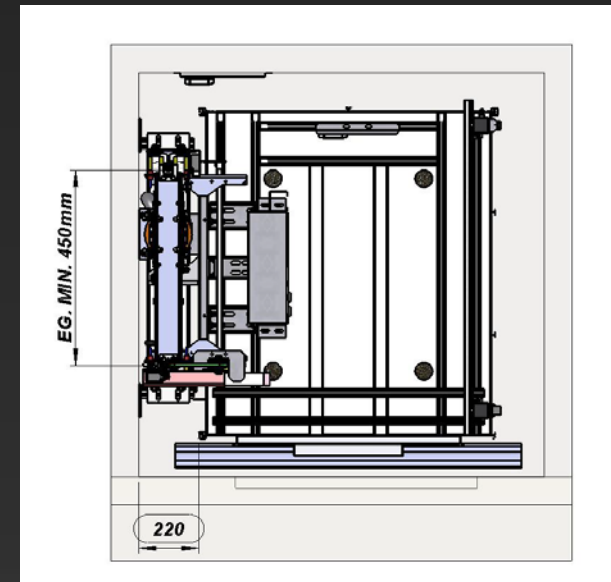
FR/RSR: Low pit + Low headroom

Mechanical: 650mm

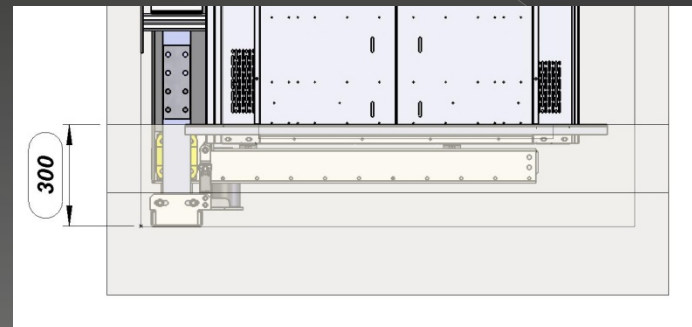
Minimum DBG: 450mm

Distance wall-cabine: 220mm

Layout detail

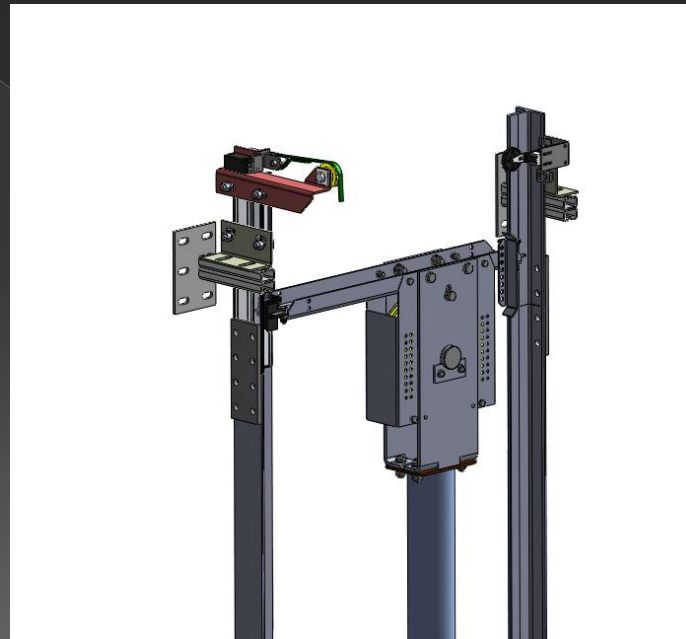
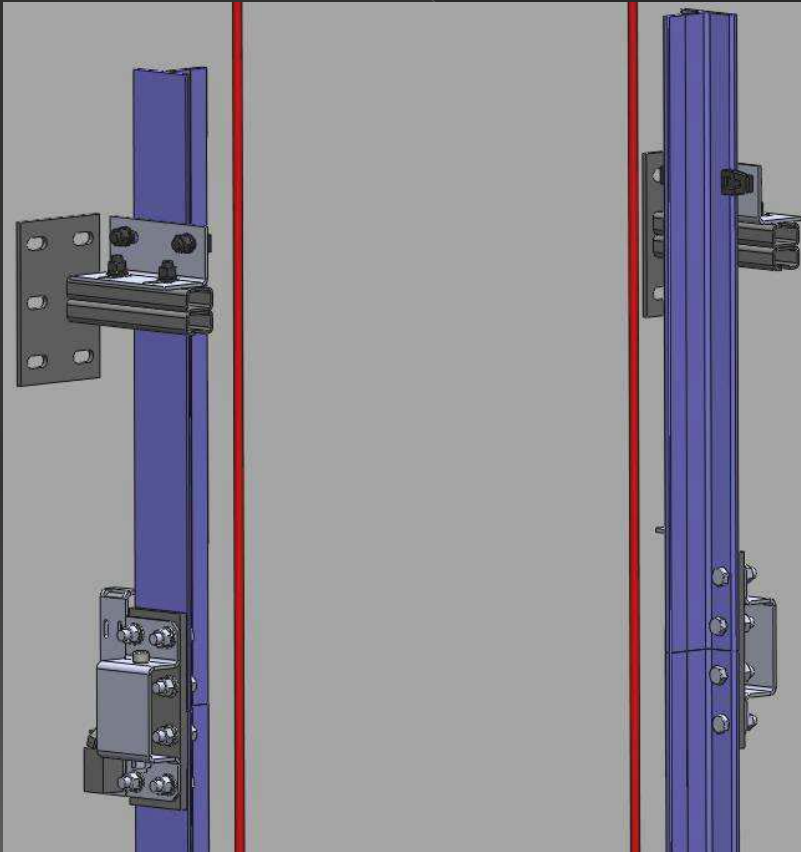


Pit detail



Guide Rails

Car guide rails RF70 - 320kg
CWT guide rails RF82 – 480kg
Regulation continues



Car frame

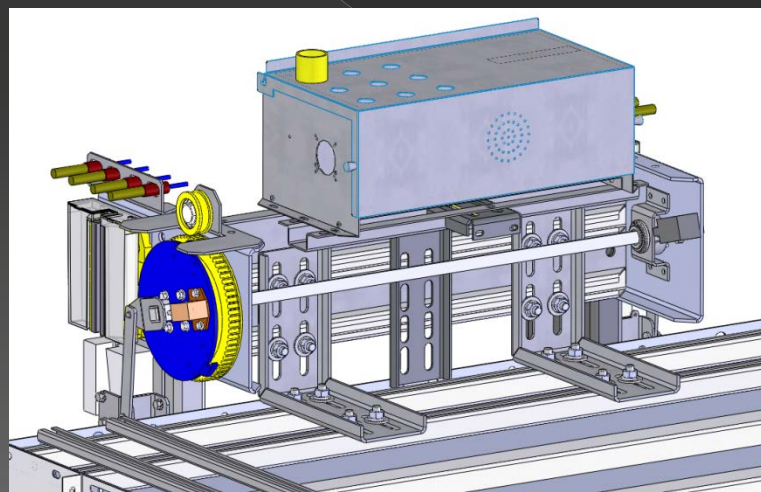
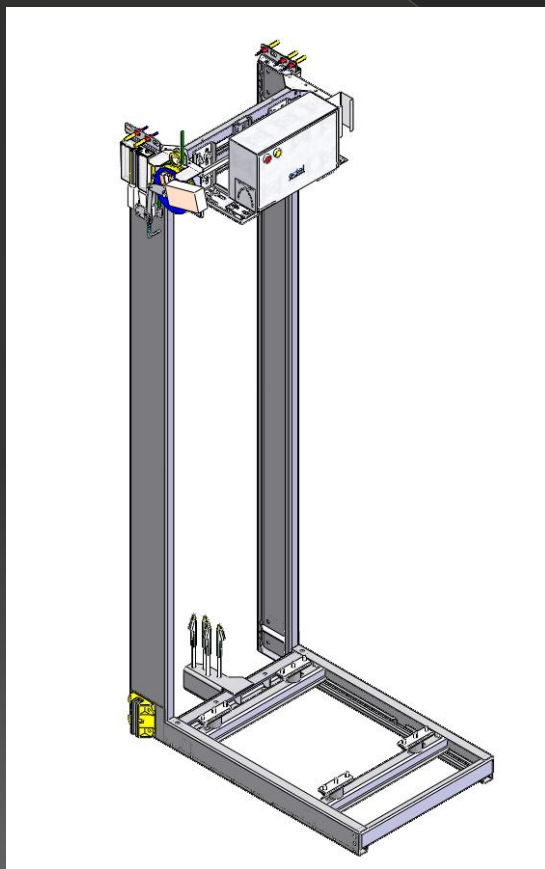
L shape car frame

Pulley $\varnothing 240$

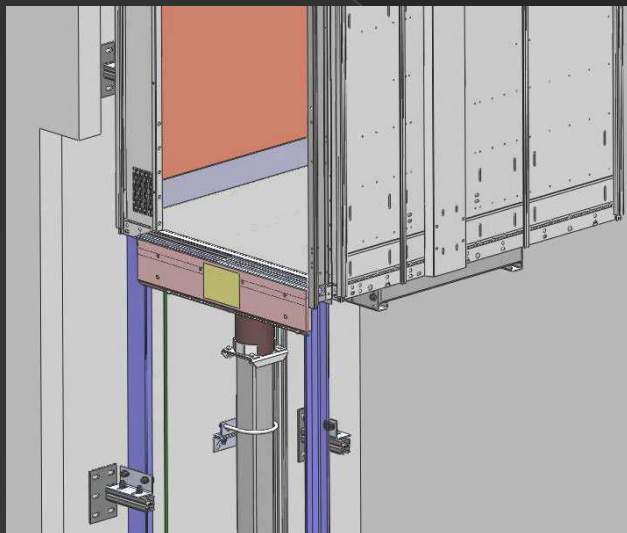
Ropes $\varnothing 6,5$

Safety gear+overspeed governor placed on top of frame

WITHOUT Rupture valve (shaft optimization)

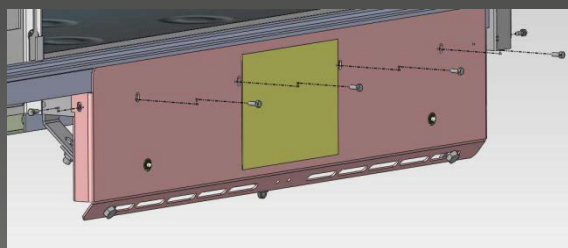
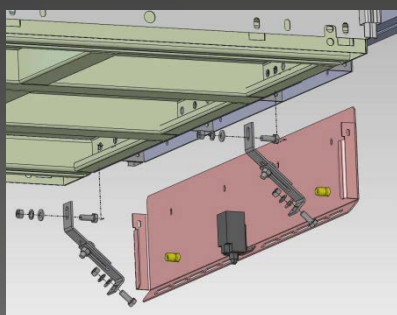


Low pit car toe guard

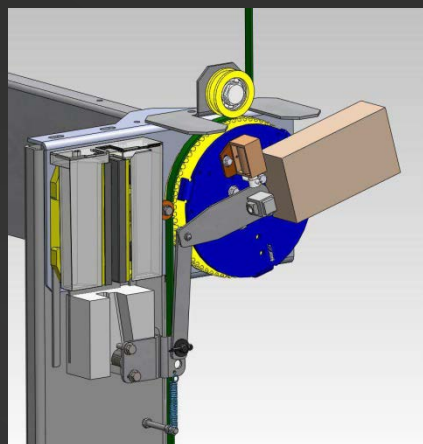


Detachable car toe guard system
Easy assembly
No noises

Certified system
TUV EC examination
FELESA S.L. EPR 005



Various

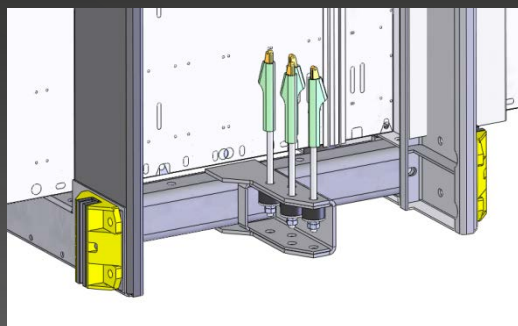


Overspeed governor with toothed belt.

Tank with electronic valve

Cabinet for tank and controller (optional)

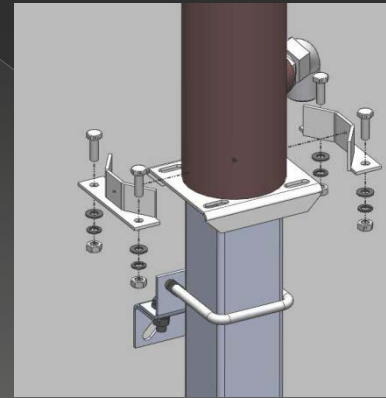
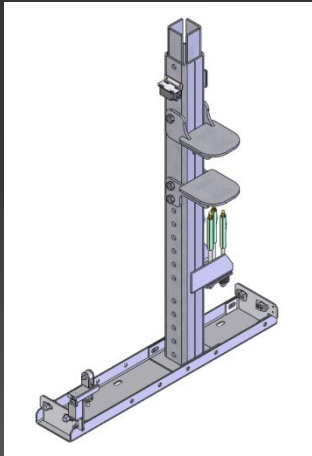
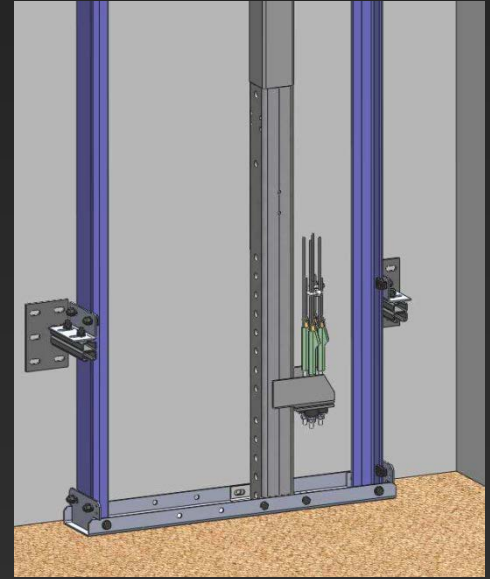
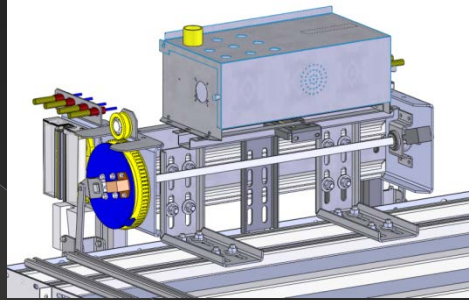
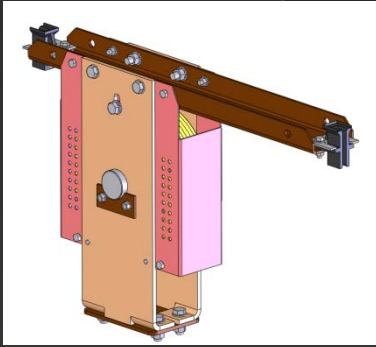
- *WITHOUT RUPTURE VALVE*
- *WITHOUT ROPES LOOSENING SYSTEM*



Optional:
Devices EN81-21

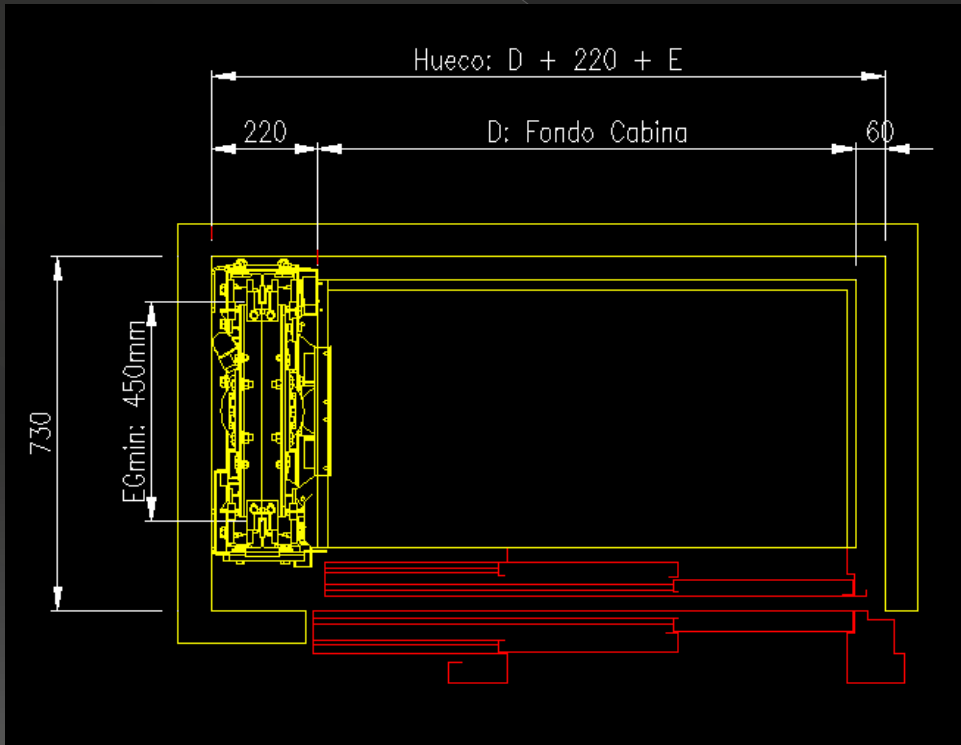


Details

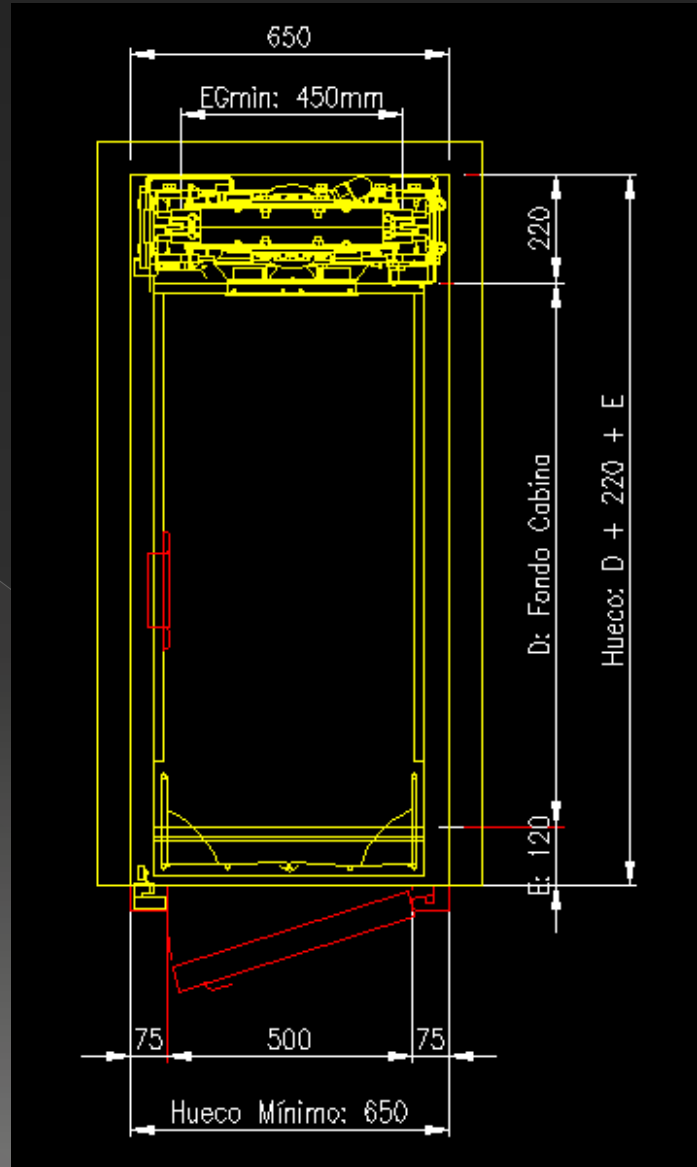


Layouts

Side disposition



Back disposition



Minimum shaft width: 650mm

Cabines

Combination with
ACUARELA Series



Moving forward & moving on

www.felesa.com

