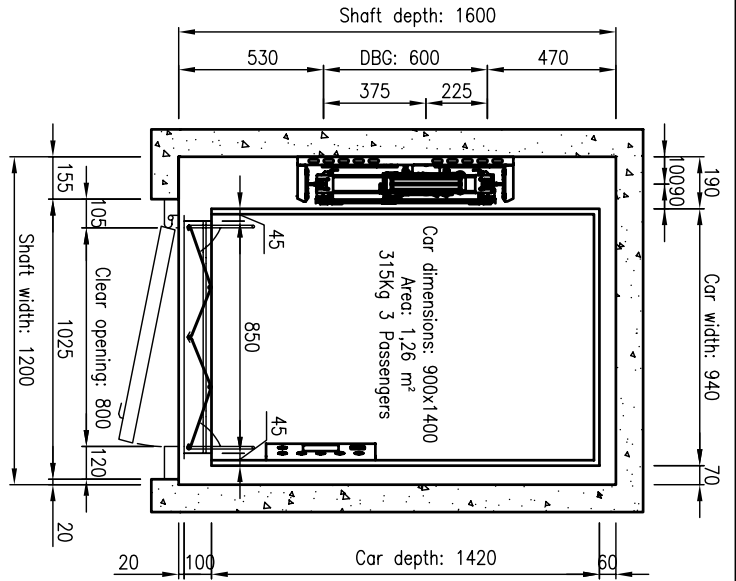
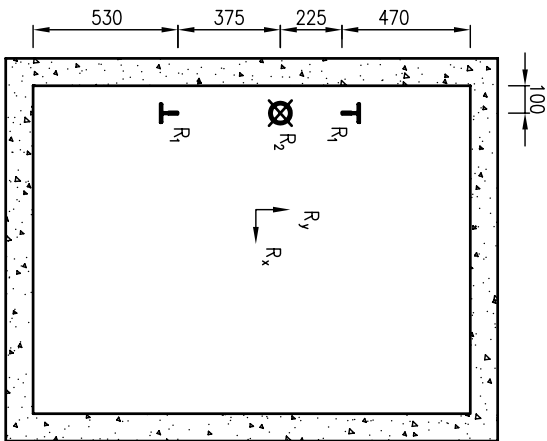
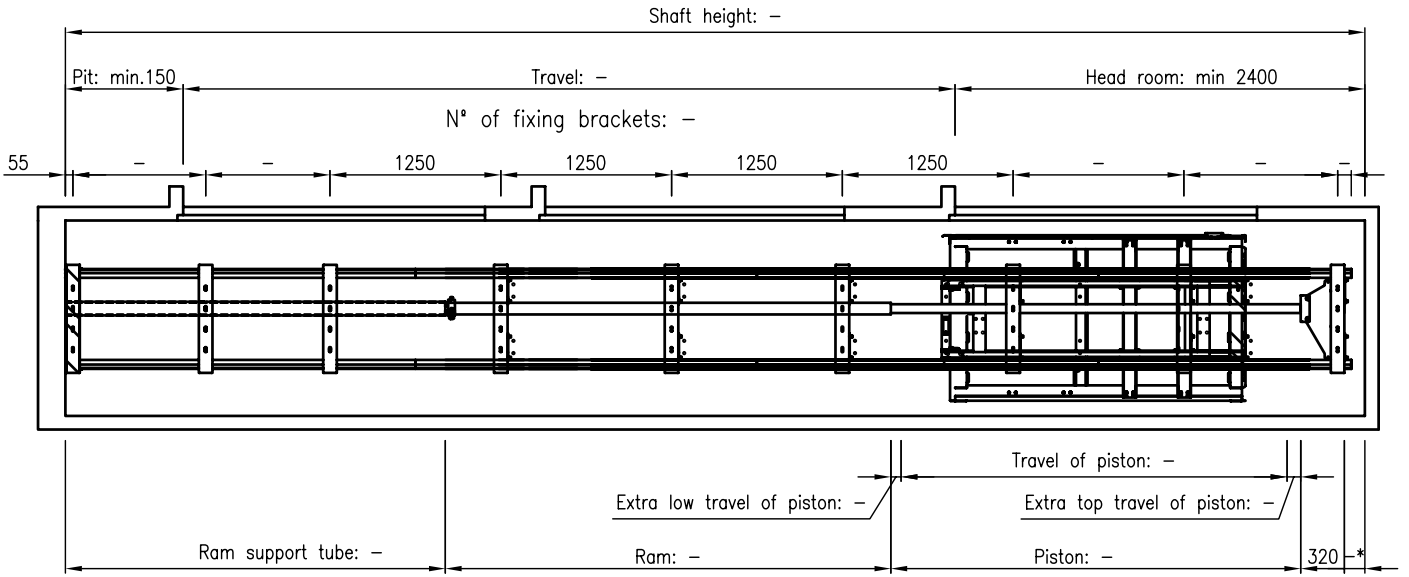


*Distance between the higher part of the head pulley and the shaft roof



Date	Modification

N° OF PIECES	4	3	2	1
GROUPS				
V'B'				
Scale:	S-E			
DENOMINATION	SHAFT LAYOUT			
Customer	315Kg Passengers (Handic. +assist.)			
POS. MATERIAL WEIGHT				
DRAWING	FALSAQ			
	FABRICKON DE ELEVADORES S.L.			
Subs. Draw N°				
Replaced by:				
Ed.:0				

CHARACTERISTICS	
LOAD:	315 Kg
PASSENGERS:	3
RATED SPEED:	0,15 m/s
TRAVEL:	- mm
STOPS:	-
ACTING:	2:1
HEAD PULLEY:	ø250
TRACTION ROPES:	2xø9
CAR GUIDES:	Ø7 (70/65/9)
CAR SAFETY GEAR:	P1-12
PISTON:	65/7,5
HYDRAULIC EQUIPMENT:	GMV HL6000
MOTOR POWER:	3 Cv
PUMP FLOW:	15 l/min
START:	DIRECT
NOMINAL CURRENT:	18 A
START CURRENT:	58 A
R1:	12.000 N
R2:	19.000 N
Rx:	4.000 N
Ry:	1.100 N