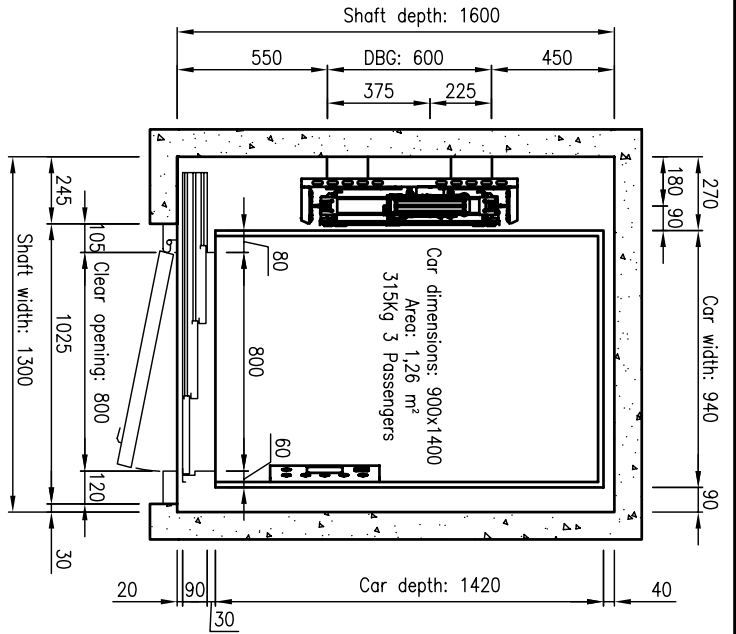
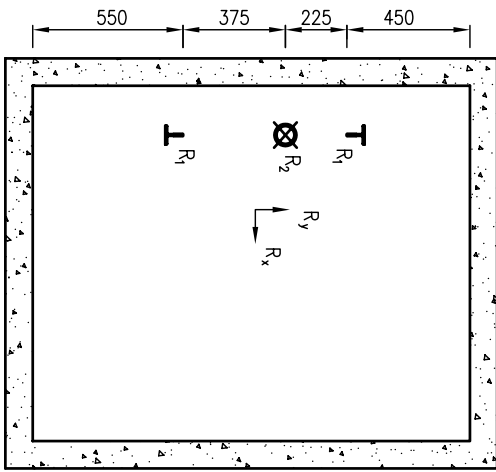
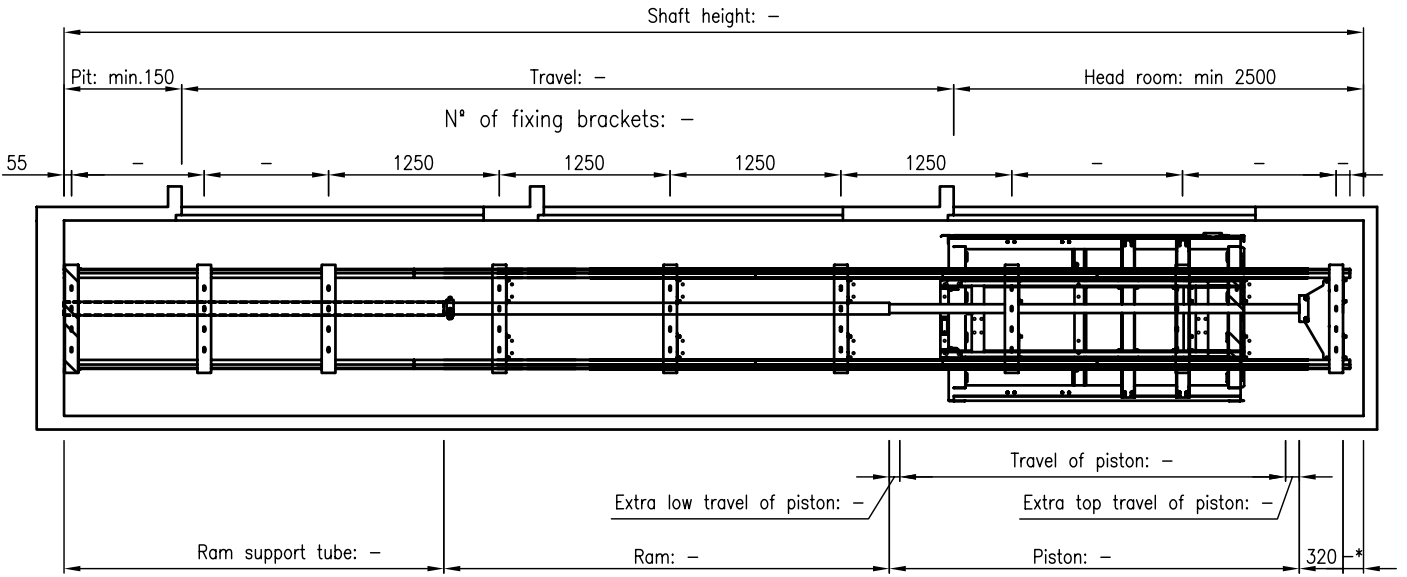


*Distance between the higher part of the head pulley and the shaft roof



CHARACTERISTICS	
LOAD:	315 Kg
PASSENGERS:	3
RATED SPEED:	0,15 m/s
TRAVEL:	- mm
STOPS:	-
ACTING:	2:1
HEAD PULLEY:	ø250
TRACTION ROPES:	2x9ø
CAR GUIDES:	G7 (70/65/9)
CAR SAFETY GEAR:	P1-12
PISTON:	65/7,5
HYDRAULIC EQUIPMENT:	GMV HL6000
MOTOR POWER:	3 Cv
PUMP FLOW:	15 l/min
START:	DIRECT
NOMINAL CURRENT:	18 A
START CURRENT:	58 A
R1:	12.000 N
R2:	19.000 N
Rx:	4.000 N
Ry:	1.100 N

Date	Modification

N° OF PIECES	DENOMINATION	POS. MATERIAL	WEIGHT	DRAWING
4				
3				
2				
1				
GROUPS		CUSTOMER		
V-B*		FABRICATION DE ELEVADORES S.L.		
Scale:		SHAFT LAYOUT		
S-E		315Kg 3Passengers(Handic. +assist.)		
Subs. Draw N°		Replaced by:		
Ed:0				