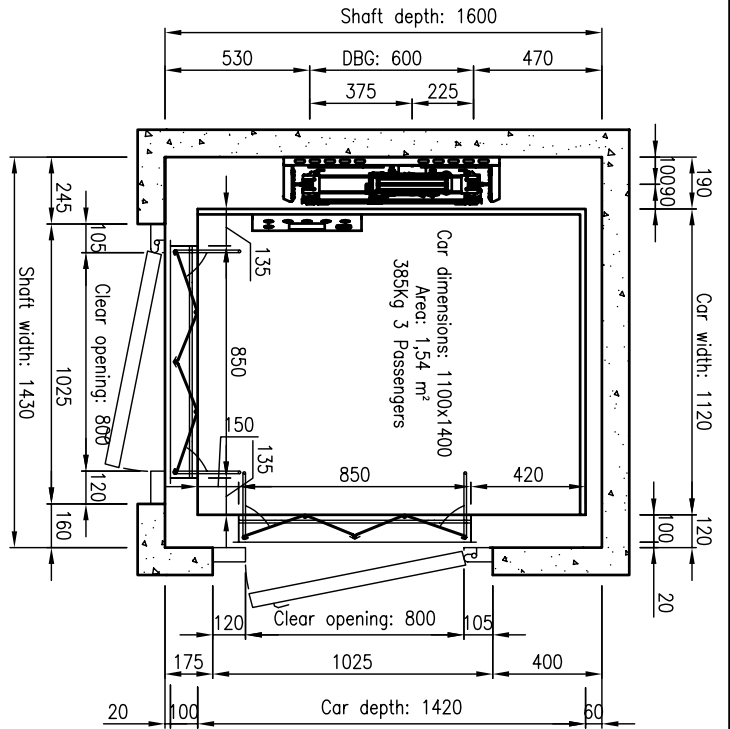
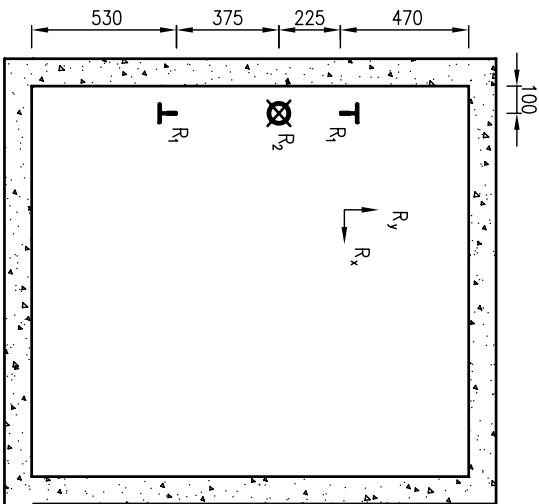
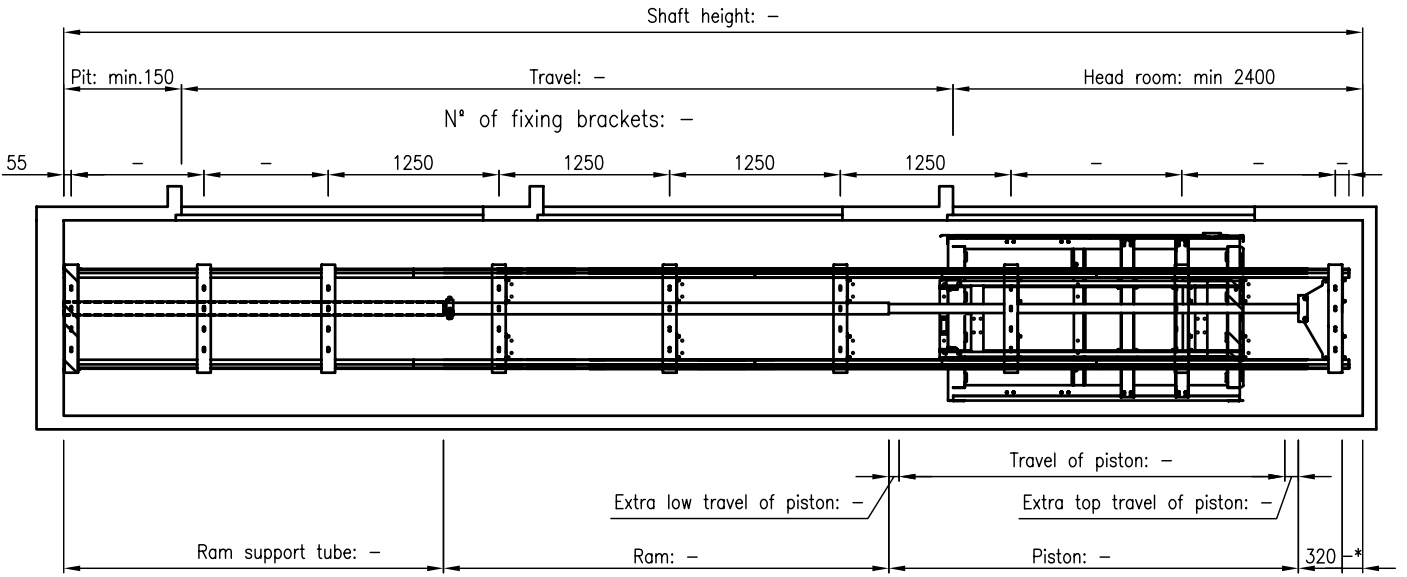


\*Distance between the higher part of the head pulley and the shaft roof



Date	Modification

N° OF PIECES	4	3	2	1
GROUPS	1	2	3	4
Scale:	S:E			
Subs. Draw N°	385Kg 3passengers (Handic. +assist.)			
Replaced by:	SHAFT LAYOUT			
POS. MATERIAL	CUSTOMER			
WEIGHT	FALSA			
DRAWING	FABRICATION DE ELEVADORES S.L.			
Ed.:0				

CHARACTERISTICS	
LOAD:	385 Kg
PASSENGERS:	3
RATED SPEED:	0,15 m/s
TRAVEL:	- mm
STOPS:	-
ACTING:	2:1
HEAD PULLEY:	ø250
TRACTION ROPES:	2xø
CAR GUIDES:	67 (70/65/9)
CAR SAFETY GEAR:	PI-12
PISTON:	65/7,5
HYDRAULIC EQUIPMENT:	GMW HL6000
MOTOR POWER:	2 Cv
PUMP FLOW:	15 l/min
START:	DIRECT
NOMINAL CURRENT:	16 A
START CURRENT:	52 A
R1:	12.000 N
R2:	19.000 N
Rx:	4.000 N
Ry:	1.100 N