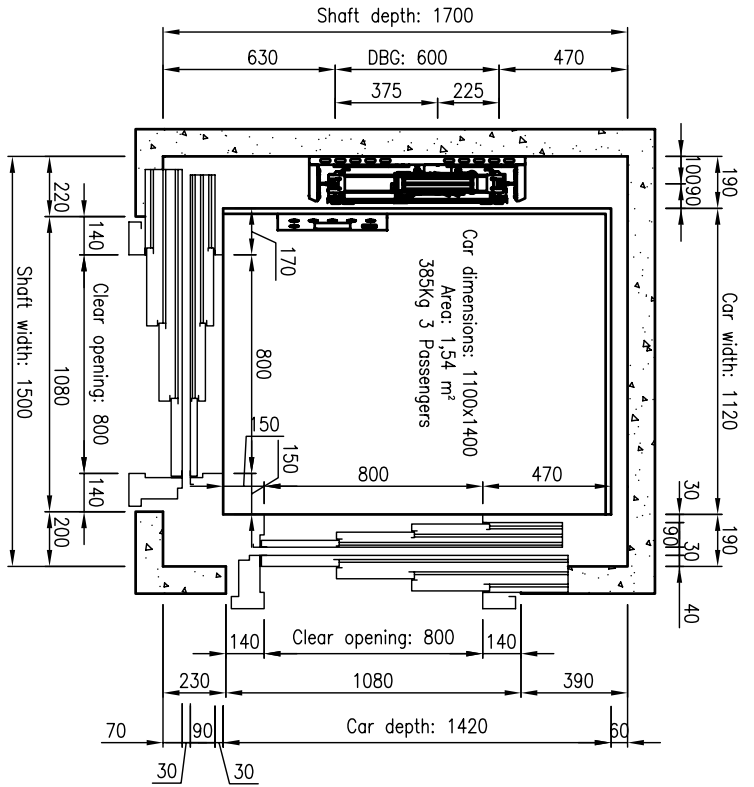
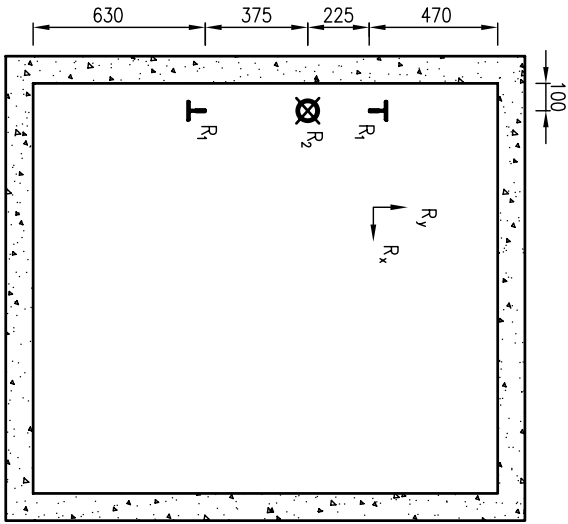
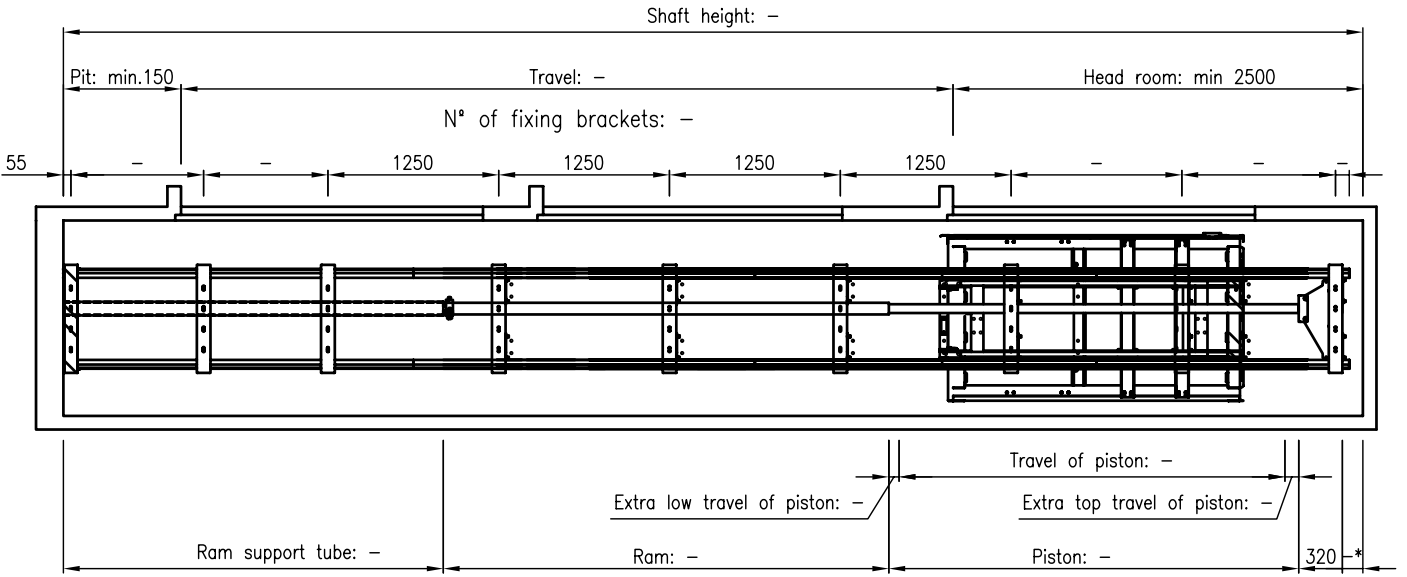


\*Distance between the higher part of the head pulley and the shaft roof



CHARACTERISTICS	
LOAD:	385 Kg
PASSENGERS:	3
RATED SPEED:	0,15 m/s
TRAVEL:	- mm
STOPS:	-
ACTING:	2:1
HEAD PULLEY:	Ø250
TRACTION ROPES:	2xØ9
CAR GUIDES:	G7 (70/65/9)
CAR SAFETY GEAR:	PI-12
PISTON:	65/7,5
HYDRAULIC EQUIPMENT:	GMW HL6000
MOTOR POWER:	3 Cv
PUMP FLOW:	15 l/min
START:	DIRECT
NOMINAL CURRENT:	18 A
START CURRENT:	58 A
R1:	12.000 N
R2:	19.000 N
Rx:	4.000 N
Ry:	1.100 N

N° OF PIECES		DENOMINATION		POS./MATERIAL WEIGHT		DRAWING	
4	3	2	1	Date	Name	CUSTOMER	
GROUPS		Drawn					
V'B'		Date					
S-E		SHAFT LAYOUT					
385Kg 3Passengers (Handic. +assid.)		FABRICATION DE ELEVADES S.L.					
Subs. Draw N°		Replaced by:					
Date		Modification					
Ed.:0							