



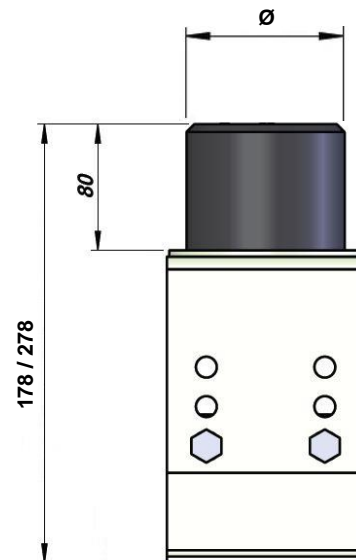
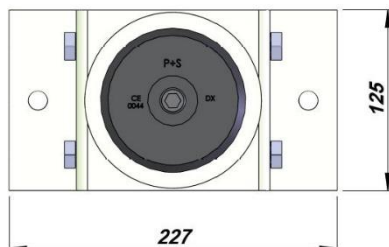
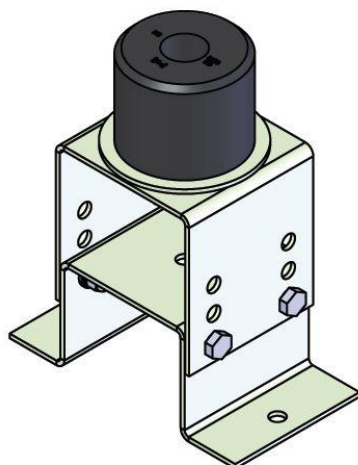
PUFFER CONTRAPESO ø100x80 D2 P+S

COUNTERWEIGHT PUFFER ø100x80 D2 P+S

CONTREPOIDS PUFFER ø100x80 D2 P+S

CODIGO

416896



DATOS TECNICOS

TECHNICAL DATA

DONNÉES TECHNIQUES

- **NORMATIVAS/STANDARD/NORMATIVE:** EN81-20

CODE	Puffer	Ø (mm)	Qmin / Qmax (Kg) (V=1m/s)	Qmin / Qmax (Kg) (V=0,63m/s)
416894	D0	80	180 / 600	150 / 1200
416895	D1	100	220 / 700	200 / 1500
416896	D2	100	330 / 1250	250 / 3200
416897	D3	125	600 / 1850	500 / 5200