



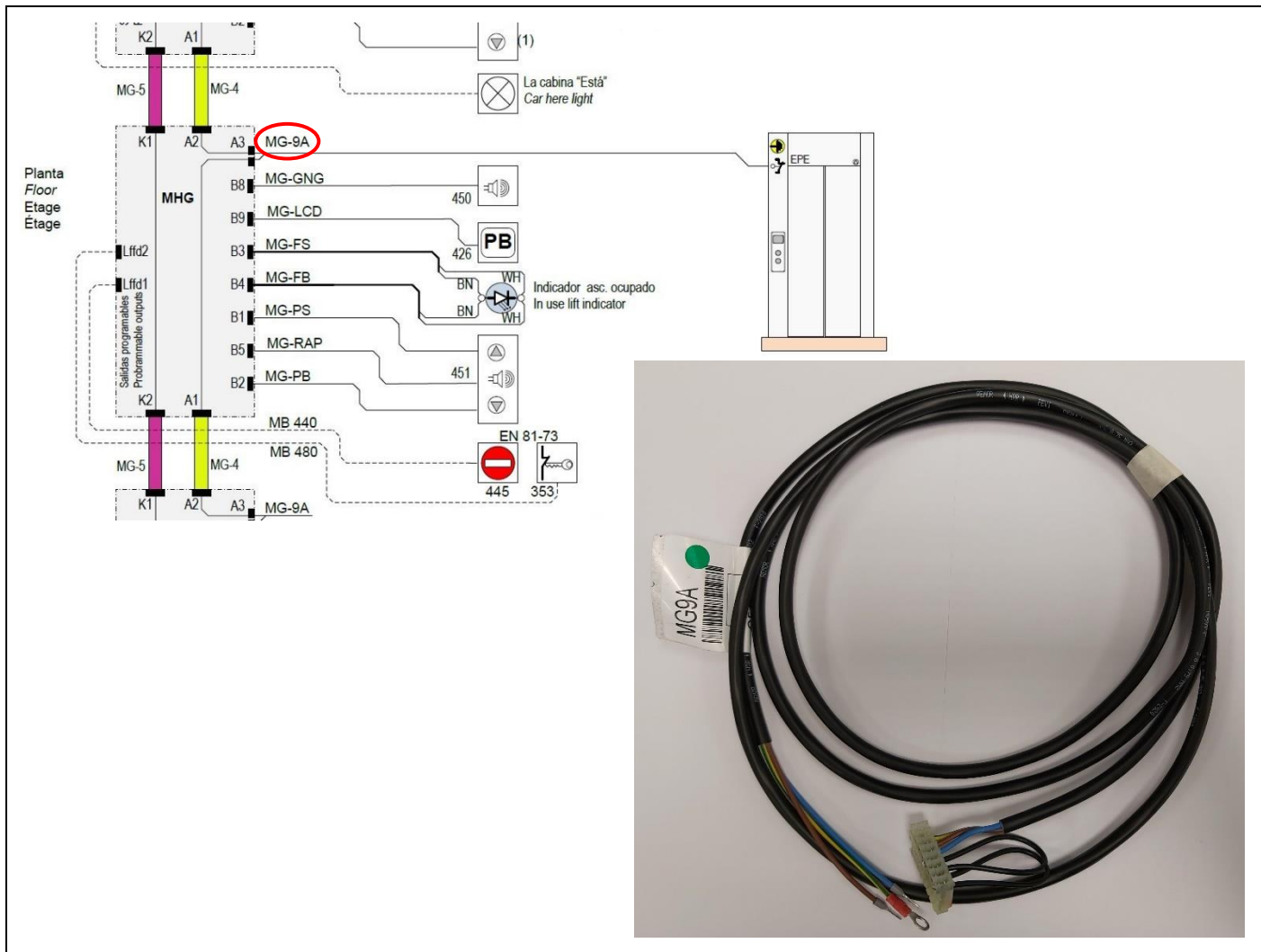
**MG9A – DERIVACION SERIE PUERTAS AUTOMATICAS 4m**

**MG9A – AUTOMATIC DOOR SERIES STUB CABLE 4m**

**MG9A – CÂBLE DERIVATION SERIE PORTES AUTOMATIQUES 4m**

**CODIGO**

**528168**



**DATOS TECNICOS**

**TECHNICAL DATA**

**DONNÉES TECHNIQUES**

- **FABRICANTE/MANUFACTURER/FABRICANT:** Carlos Silva
- **PRODUCTO/PRODUCT/PRODUIT:** MG9A

CODE	L (m)	CARLOS SILVA CODE
528167	2.5	CC699A025
<b>528168</b>	<b>4</b>	<b>CC699A040</b>
528169	6	CC699A060
528170	8	CC699A080
528171	10	CC699A0A0