



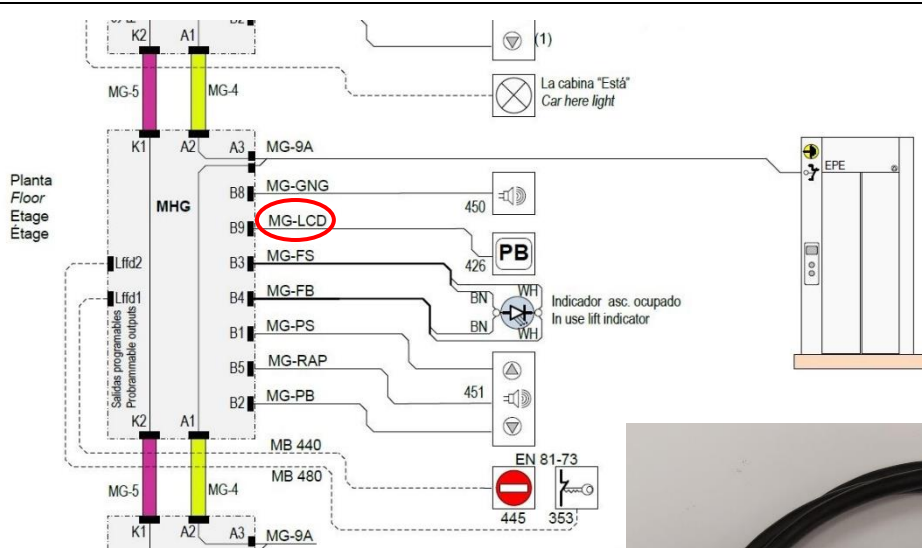
MB300 - TFT 2.8' / 5.6' 5M

MB300 - TFT 2.8' / 5.6' 5M

MB300 - TFT 2.8' / 5.6' 5M

CODIGO

528186



DATOS TECNICOS

TECHNICAL DATA

DONNÉES TECHNIQUES

- **FABRICANTE/MANUFACTURER/FABRICANT:** Carlos Silva
- **PRODUCTO/PRODUCT/PRODUIT:** MB300

CODE	L (m)	CARLOS SILVA CODE
528183	1.5	CCMB3000AA15
528184	3	CCMB3000AA30
528185	4.5	CCMB3000AA45
528186	5	CCMB3000AA60
528187	6	CCMB3000AA80
528188	8	CCMB3000AAA0