



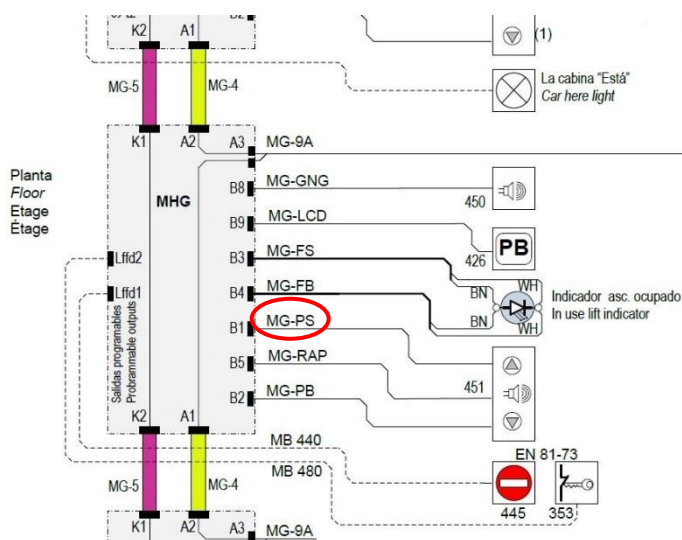
MGPS – MANGUERA PULSADOR SUBIDA 4.5M

MGPS – UP BUTTON HOSE 4.5M

MGPS – BOUTON DE MONTEE 4.5M

CODIGO

528206



DATOS TECNICOS

TECHNICAL DATA

DONNÉES TECHNIQUES

- **FABRICANTE/MANUFACTURER/FABRICANT:** Carlos Silva
- **PRODUCTO/PRODUCT/PRODUIT:** MG-PS

CODE	L (m)	CARLOS SILVA CODE
528204	1.5	CC6770115
528205	3	CC6770130
528206	4.5	CC6770145
528207	6	CC6770160
528208	10	CC67701A0