

Moving forward & Moving on

FELES 



New and Existing Buildings
Residential and commercial
Design
Modernity



ODF
microHD

ODF + microHD

- Applications
- Advantages
- Normative
- Application range
- Standard configurations
- Accesibles configurations
- Bedlifts configurations
- Energy efficiency
- Cabines and finishes
- Gallery

Design + Modernity



Our range of elevators for the residential sector is integrated into the dynamics of life and needs of current buildings, both in efficiency and sustainability as well as in aesthetics and cabine dimensions. With silent and safe movement, functionality is assured.



ODF + microHD

Applications

- New building / Existing
- Residential
- Commercial
- Offices
- Hospital use

Advantages

- Flexibility. Rucksac car frame.
- Confort
- Fiability
- Modernity
- Simple, double, triple entrances
- 3-phase / Single phase

Standards

- 2014/33/UE
- EN81-20 / EN-81-21
- EN81-70
- EN81-71
- EN81-72



Application range

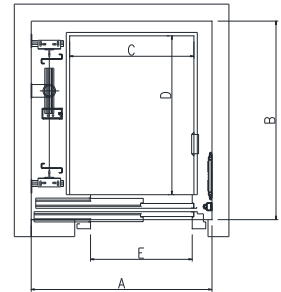
Load (Kg)	ODF1: 320/375/480/525/630/750/900/1000/1125/1250/1425/1600 ODF2: 1600/2000/2500/3000/3500/4000
Load (Kg)	microHD: 180/225/320/375/480
Speed (m/s)	0,2 - 0,6
Machine room	With motor room/ Machine room less(Cabinet)
Entrances	0° / 90° /180° / 270° / Triple
Travel Max (m)	20
Suspension	1:1 / 2:1
Voltage (V)	230II / 230III / 400III
Car frame	ODF1/microHD: Rucksac ODF2: Portique
Pit (mm)	1100-1400mm / microHD 300mm EN81-21
Headroom(mm)	3400-3850mm / microHD 2700mm EN81-21
Panoramics	YES + Circular piston borehole



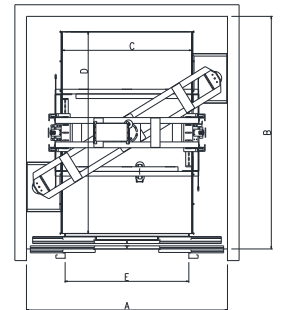
Standard configurations

➤ Single entry

Load	Shaft	Cabine	Clear Op.	Speed	HR	Pit	Handrail
Kg	AxB mm	CxD mm	E mm	m/s	mm	mm	mm
ODF1 / 1 cylinder / 2:1							
320	1350x1300	870x1000	700	0,63	3400	1200	700
375	1450x1500	900x1200	800	0,63	3400	1200	700
480	1500x1550	1000x1250	800	0,63	3400	1200	700
525	1600x1600	1100x1300	800	0,63	3400	1200	700
630	1600x1700	1100x1400	900	0,63	3400	1200	700
750	1650x2200	1100x1600	900	0,63	3500	1300	700
1000	1650x2400	1100x2100	900	0,63	3500	1300	700
1250	1800x2500	1250x2150	1000	0,63	3500	1300	700
1425	1900x2650	1350x2300	1100	0,63	3500	1400	700
1600	1950x2800	1400x2450	1100	0,63	3500	1400	700

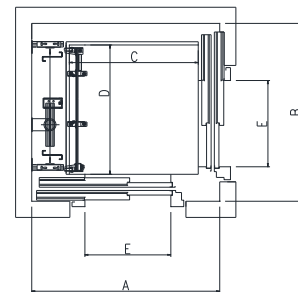


ODF2 / 2 cylinder / 1:1							
1600	2500x2500	1600x2100	1500	0,3-0,6	3850	1400	1100
2000	2700x2650	1800x2550	1700	0,3-0,6	3850	1400	1100
2500	2900x2800	2000x2400	1800	0,3-0,6	3850	1400	1100
3000	3200x2800	2300x2400	2200	0,3-0,6	3850	1400	1100
3500	3400x2900	2500x2500	2300	0,3-0,6	3850	1400	1100
4000	3400x3200	2500x2800	2300	0,3-0,6	3850	1400	1100



➤ Double entrance 90°/270°

Load	Shaft	Cabine	Clear Op.	Speed	HR	Pit	Handrail
Kg	AxB mm	CxD mm	E mm	m/s	mm	mm	mm
320	1450x1450	900x1000	700	0,63	3400	1200	700
480	1550x1650	1000x1250	800	0,63	3400	1200	700
630	1650x1800	1100x1400	900	0,63	3400	1200	700
800	1800x1800	1250x1400	900	0,63	3500	1300	700
1000	1950x2000	1400x1600	1000	0,63	3500	1300	700
1275	1850x2600	1250x2150	1100	0,63	3500	1400	700

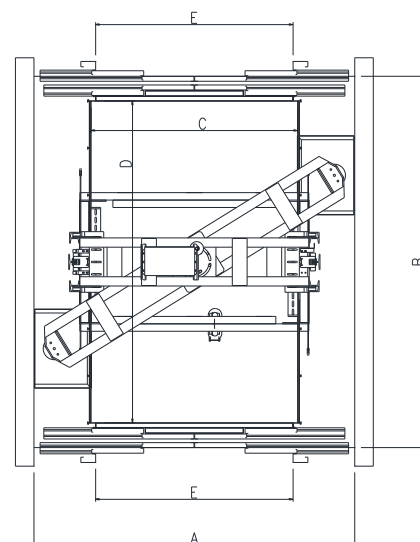
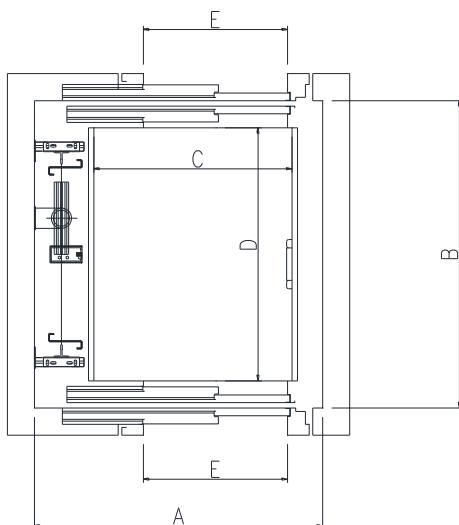




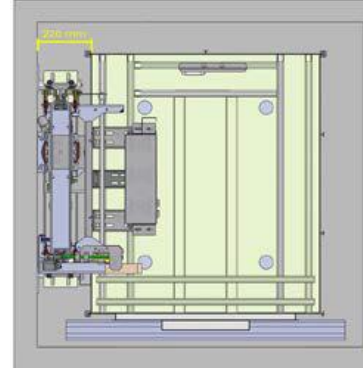
Standard configurations

➤ Double entrance 180°

Load	Shaft	Cabine	Clear Op.	Speed	HR	Pit	Handrail
Kg	AxB mm	CxD mm	E mm	m/s	mm	mm	mm
ODF1 / 1 cylinder / 2:1							
320	1350x1400	870x1000	700	0,63	3400	1200	700
375	1450x1600	900x1200	800	0,63	3400	1200	700
480	1500x1650	1000x1250	800	0,63	3400	1200	700
525	1600x1700	1100x1300	800	0,63	3400	1200	700
630	1600x1800	1100x1400	900	0,63	3400	1200	700
750	1650x2300	1100x1600	900	0,63	3500	1300	700
1000	1650x2500	1100x2100	900	0,63	3500	1300	700
1250	1800x2600	1250x2150	1000	0,63	3500	1300	700
1425	1900x2750	1350x2300	1100	0,63	3500	1400	700
1600	1950x2900	1400x2450	1100	0,63	3500	1400	700
ODF2 / 2 cylinder / 1:1							
1600	2500x2600	1600x2100	1500	0,3-0,6	3850	1400	1100
2000	2700x2750	1800x2550	1700	0,3-0,6	3850	1400	1100
2500	2900x2900	2000x2400	1800	0,3-0,6	3850	1400	1100
3000	3200x2900	2300x2400	2200	0,3-0,6	3850	1400	1100
3500	3400x3000	2500x2500	2300	0,3-0,6	3850	1400	1100
4000	3400x3300	2500x2800	2300	0,3-0,6	3850	1400	1100



- Rehabilitations/Existing Buildings
- Reduced shafts



Standard configurations

➤ Single Entry

Load	Shaft	Cabine	Clear Op.	Speed
Kg	AxB mm	CxD mm	E mm	m/s
320	1250x1300	800x1000	700	0,63
480	1400x1500	1000x1250	800	0,63

- PIT minimum: 300mm
- HEADROOM minimum: 2700mm
- DIM technical: 220mm
- Option: single phase 220v



➤ Double entry 180°

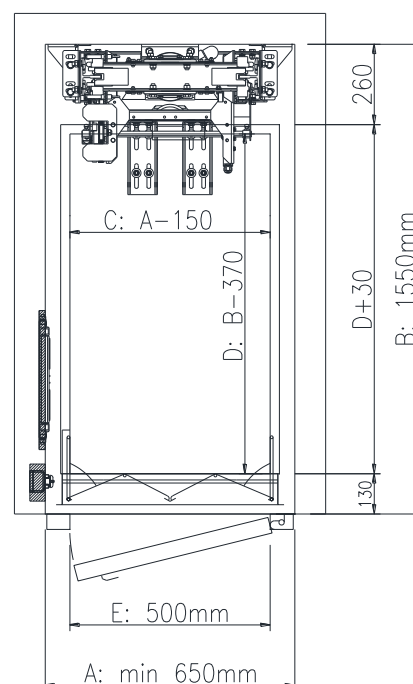
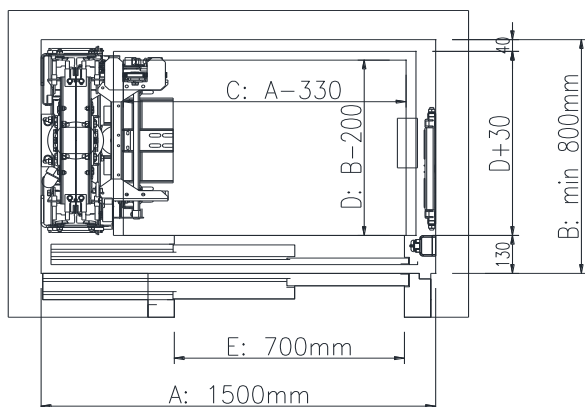
Load	Shaft	Cabine	Clear Op.	Speed
Kg	AxB mm	CxD mm	E mm	m/s
320	1250x1400	800x1000	700	0,63
480	1400x1600	1000x1250	800	0,63

- Consult adaptability to any shaft
- Shaft metal structures

➤ Double entry 90°/270°

Load	Shaft	Cabine	Clear Op.	Speed
Kg	AxB mm	CxD mm	E mm	m/s
320	1350x1350	800x1000	700	0,63
480	1450x1500	1000x1250	800	0,63

- Normative EN81-20 / EN81-21

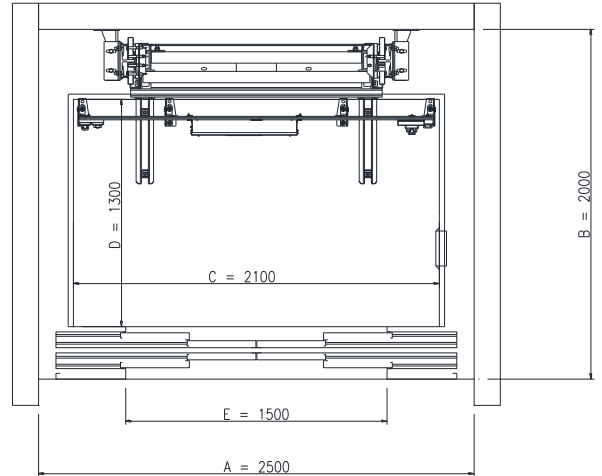
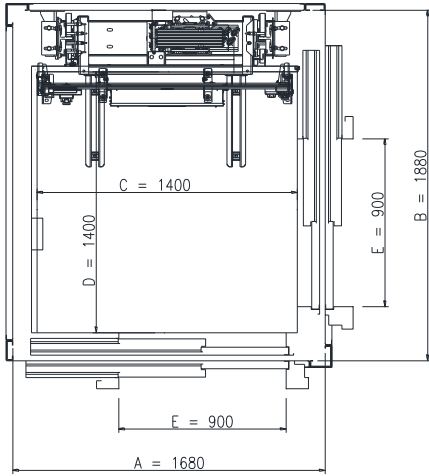




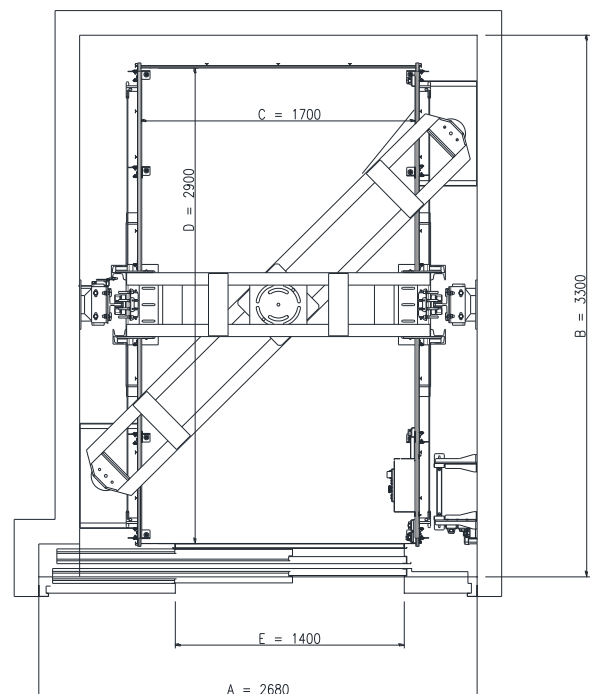
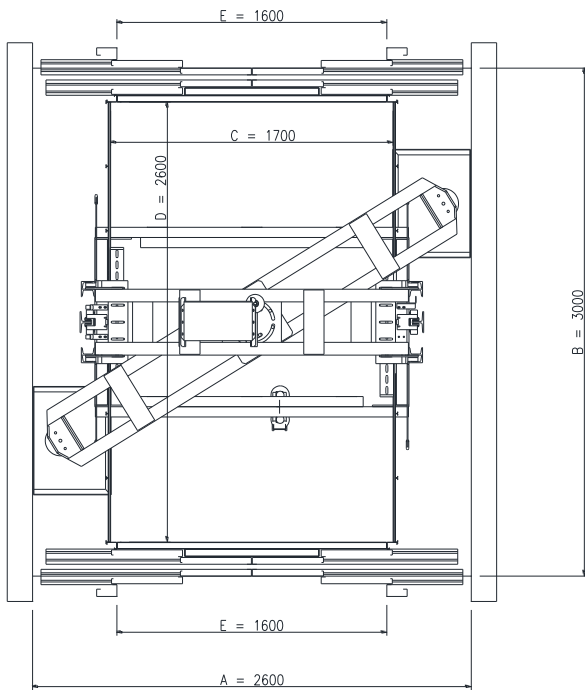
Accesibles EN 81-70



Simple cylinder configurations

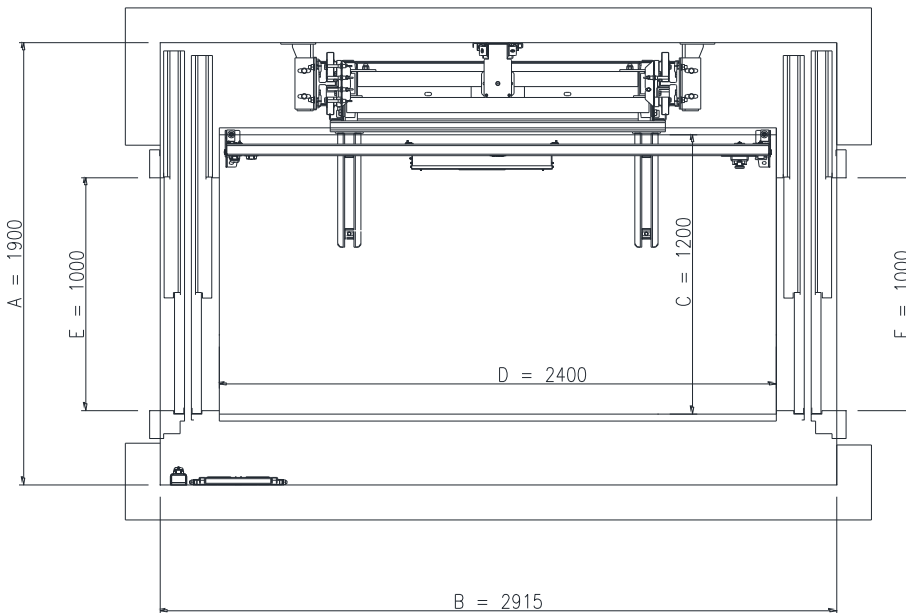
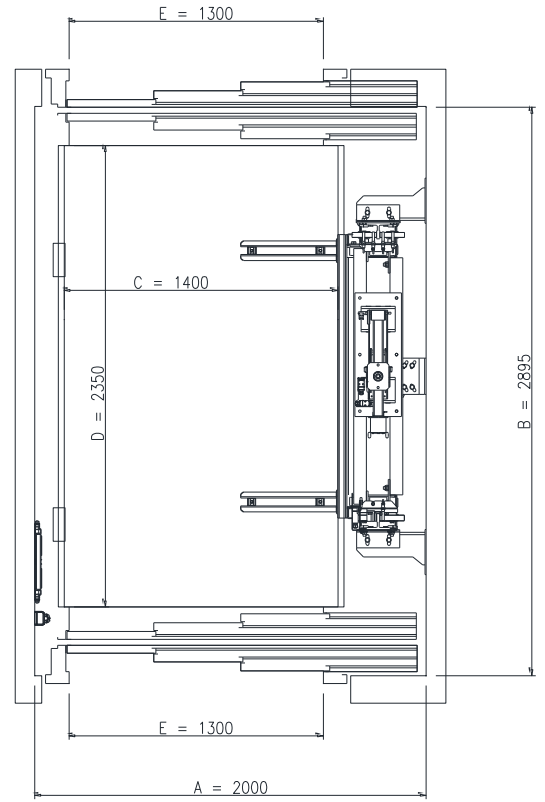
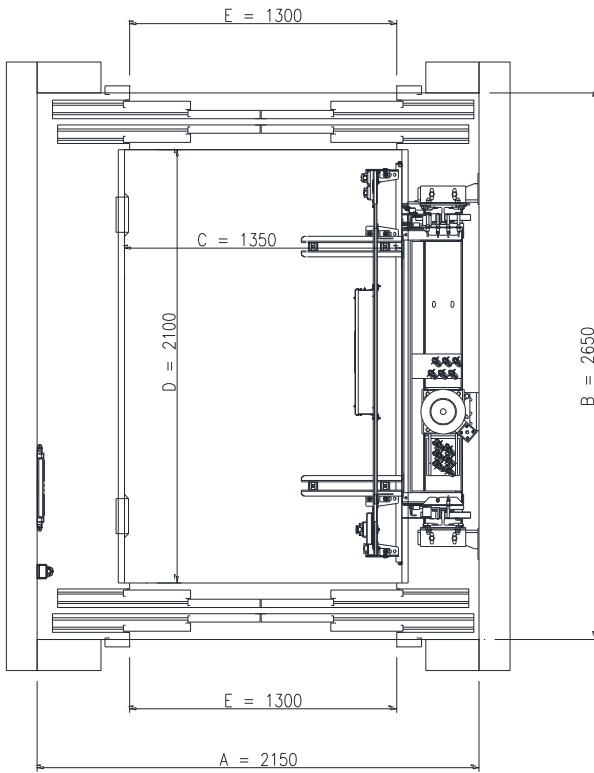


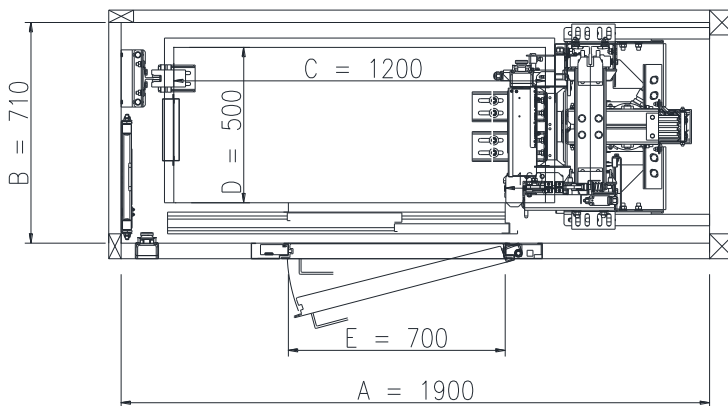
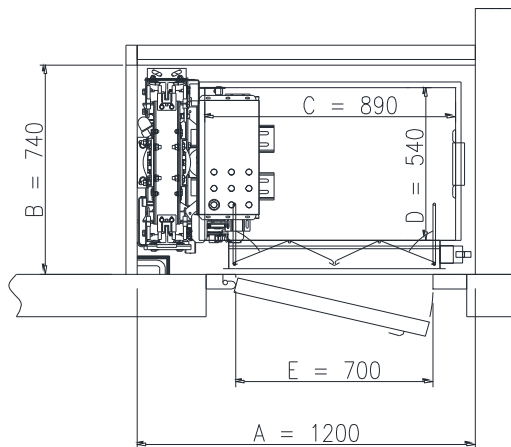
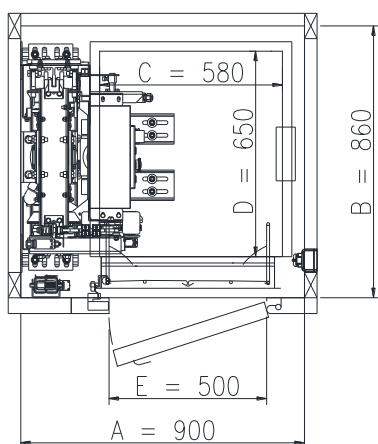
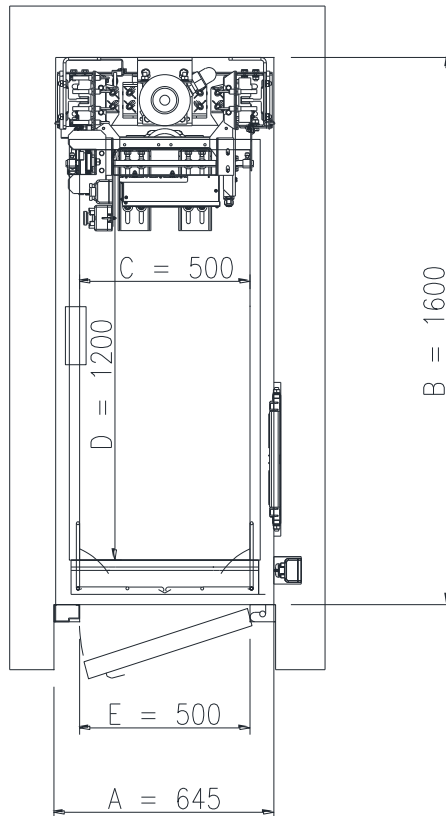
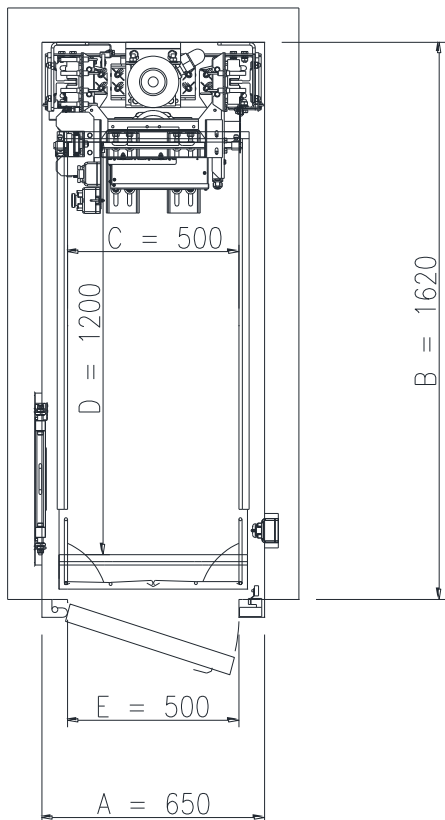
Twin cylinder configurations

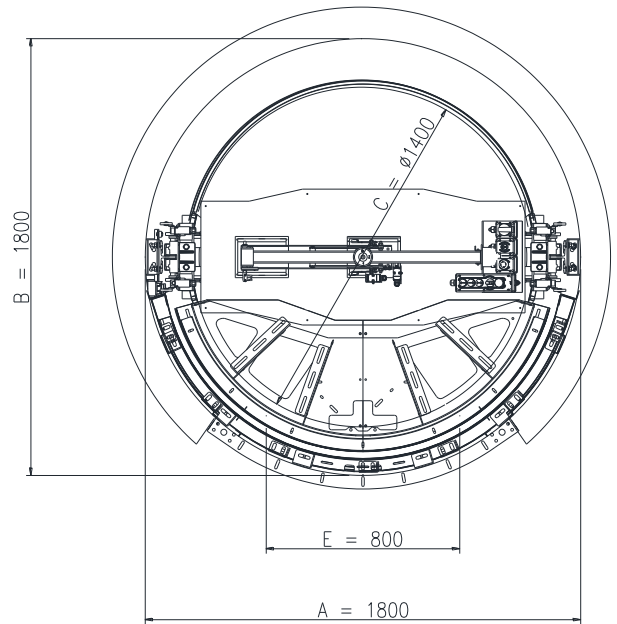
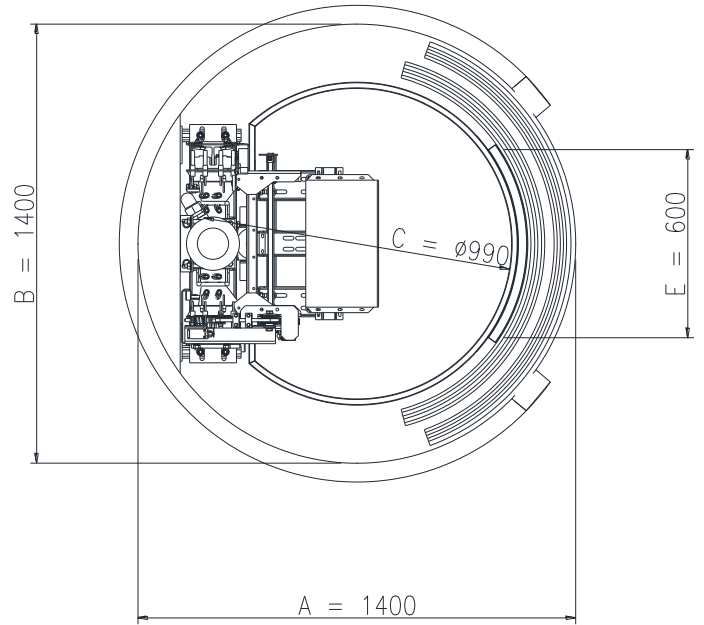
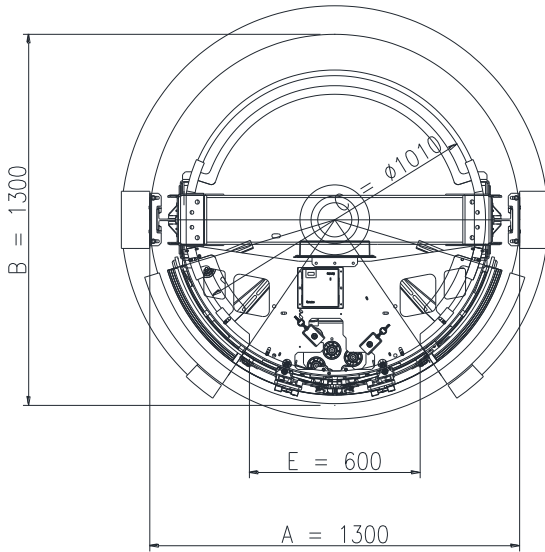




Bed Lifts









Power and Consumptions

➤ 1 cylinder / 2:1

3 Phase	320 Kg	480Kg	630Kg
Voltage	380III	380III	380III
P (Kw)	7,7Kw/10,5HP	9,5Kw/13HP	11Kw/15HP
V (m/s)	0,63	0,63	0,63
I nominal (A)	20	24	28
I start(A)	58	70	45
Start	Direct	Direct	Star Delta

➤ 1 cylinder / 2:1

3 Phase	825 Kg	1000Kg	1250Kg	1600Kg
Voltage	380III	380III	380III	380III
P (Kw)	12,5Kw/17HP	14,7Kw/20HP	18,4Kw/25HP	29,4Kw/40HP
V (m/s)	0,63	0,63	0,63	0,63
I nominal (A)	30	34	42	68
I start(A)	43	49	60	98
Start	Star Delta	Star Delta	Star Delta	Star Delta

➤ 2 cylinder/ 1:1

3 Phase	3000 Kg		3500Kg		4000Kg	
Voltage	380III		380III		380III	
P (Kw)	22Kw/30HP	44Kw/60HP	18,4Kw/25HP	29,4Kw/40HP	51Kw/70HP	59Kw/80HP
V (m/s)	0,30	0,63	0,30	0,63	0,30	0,63
I nominal (A)	51	101	68	118	84	134
I start(A)	74	152	98	181	130	208
Start	Star Delta		Star Delta		Star Delta	

➤ 2 cylinder/ 1:1

Trifásicos	1600 Kg		2000Kg		2500Kg	
Voltage	380III		380III		380III	
P (Kw)	14,7Kw/20HP	29,4Kw/40HP	18,4Kw/25HP	29,4Kw/40HP	22Kw/30HP	36Kw/50HP
V (m/s)	0,30	0,63	0,30	0,63	0,30	0,63
I nominal (A)	34	68	42	68	51	84
I start(A)	49	98	60	98	74	130
Start	Star Delta		Star Delta		Star Delta	



Cabines and finishes

- Cabines brochure FELESA SMART Series
- 8 finishes ranges

CITY



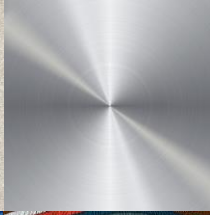
NATURE



TEXTURE



METAL



CRYSTAL



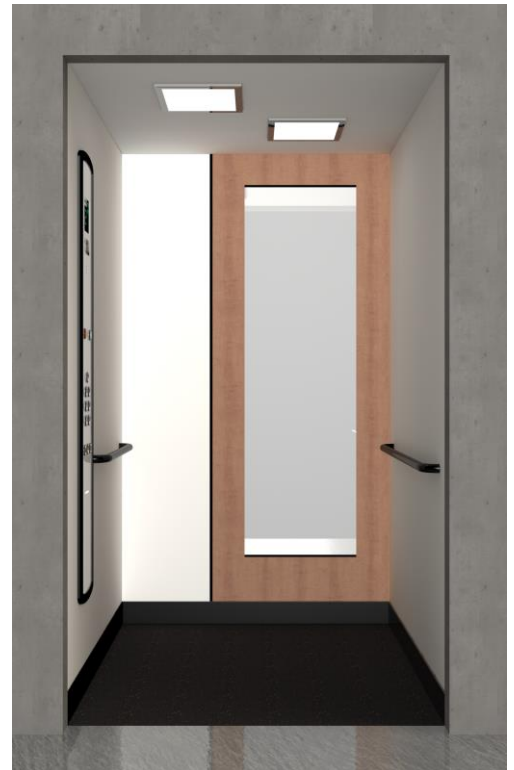
ETNIA

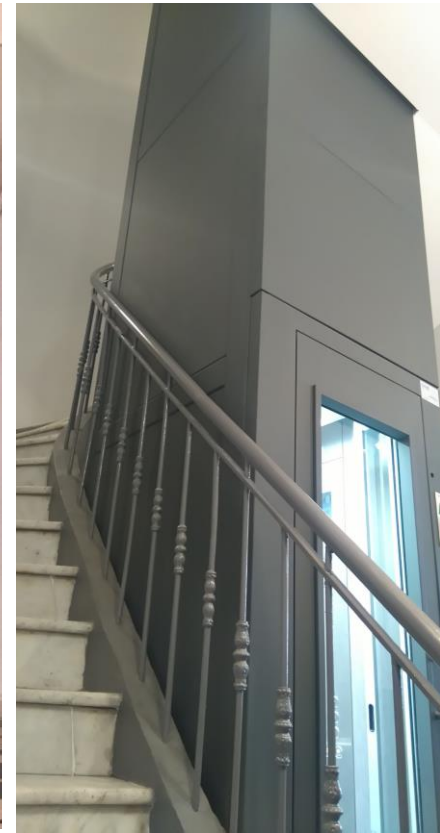
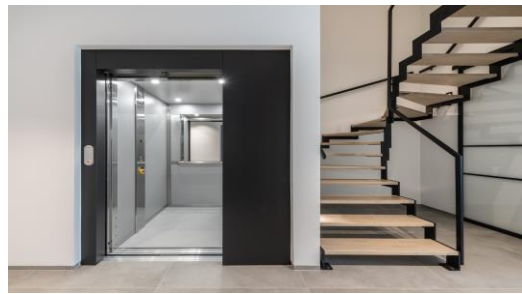
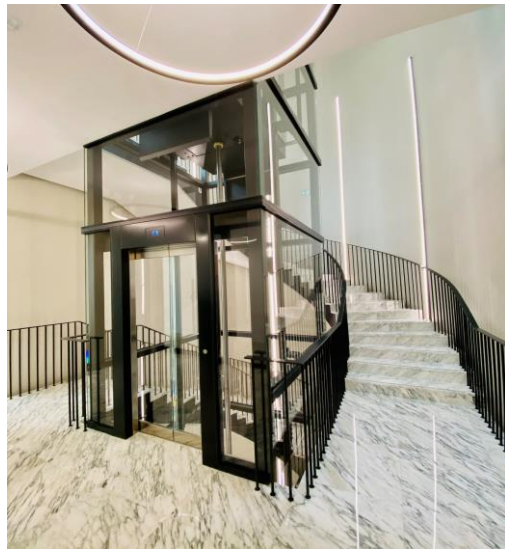


STONE



TEXTURE





FELES 



www.felesa.com

Moving forward & Moving on